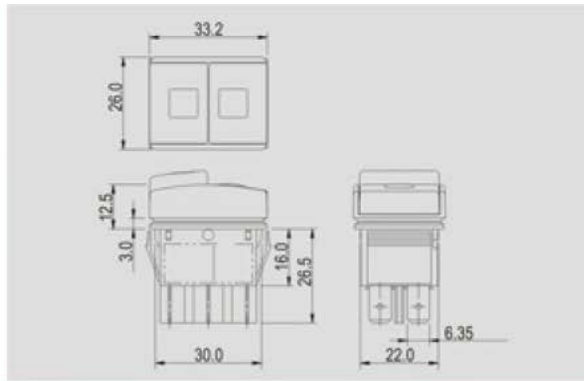


Push switch, Off-On 4P DPST 3V, B/R/G, 10(4)A, 250VAC



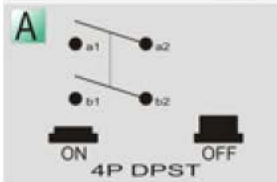
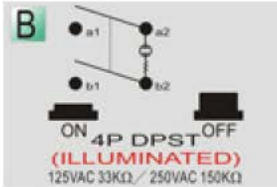
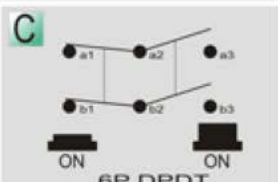
Contact resistance
50mΩ Max
Insulation resistance
DC 500V 100MΩ Min
Dielectric strength
AC 1500V 1 minute
Cut-out



	X	Y
0.75-1.25	30.2±0.1	22.2±0.1
1.25-2.0	30.4±0.1	22.2±0.1
2.00-3.00	30.8±0.1	22.2±0.1

FEATURES

- * MATERIAL: Frames are nylon (UL flame:94V-2). Terminals are silver plated brass.
- * Illuminated actuators are molded in PC, available with red, amber and green colors.
- * Snap-in mounting, easy to install switch into panel.
- * Application: Vacuum cleaner, machine.

FUNCTION		RATING	TERMINAL
A		16A125V AC 1/3HP 10A250V AC 1/2HP 10(4)A250V~	0 1 SQ
B			0 5
C		0 20A 12VDC	

Unit: mm