
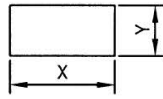
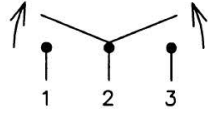
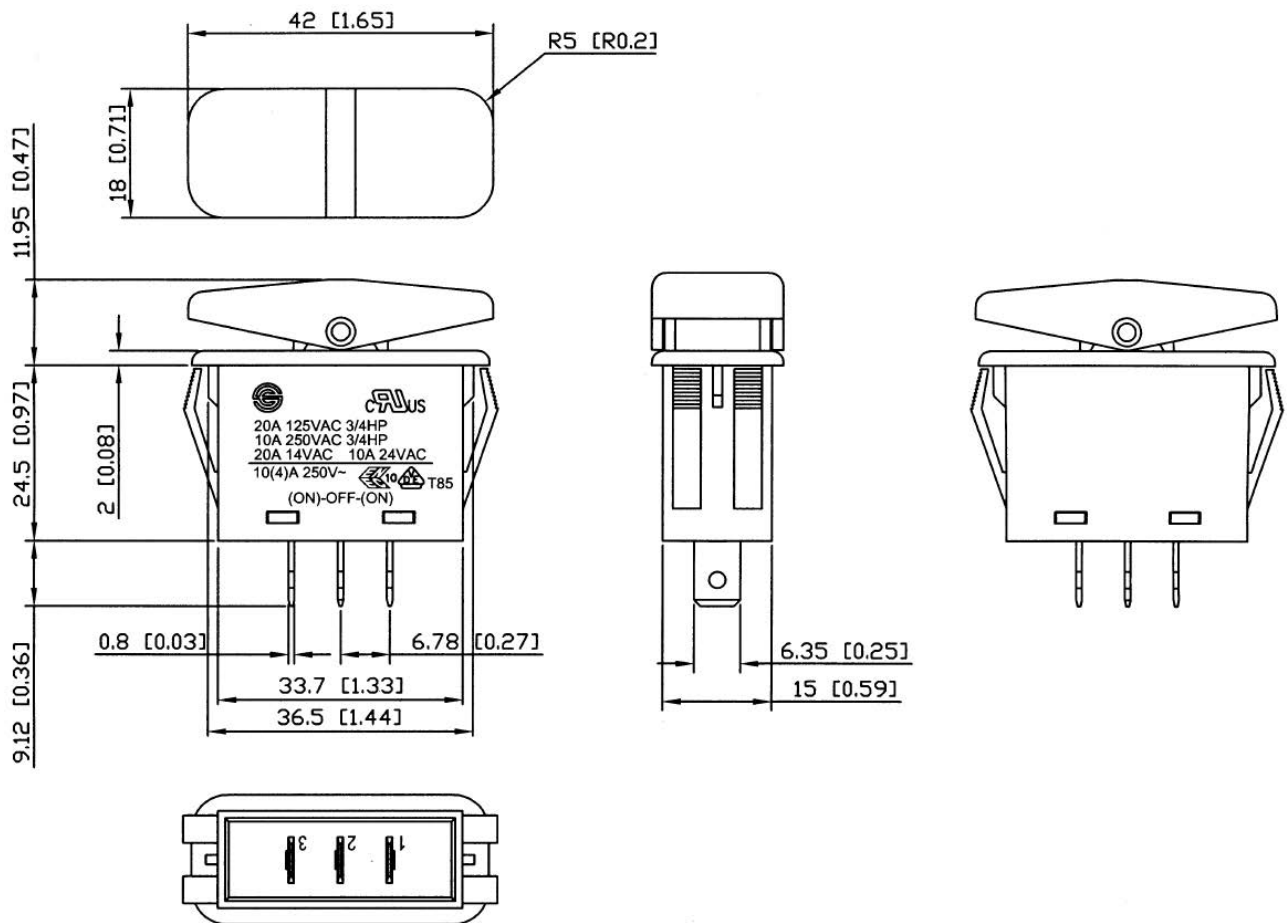


# Rocker switch, (On)-Off-(On) 3P SPST, 18A/125VAC, 10A/250VAC

Rating	20A 125VAC, 3/4HP 10A 250VAC, 3/4HP 20A 14VAC 10A 24VAC		Mounting Hole		Circuit Diagram
	10(4)A 250V~				
Contact Resistance	50m ohm Max.		Thickness		X
Insulation Resistance	DC 500V 100M ohm Min.		0.75~5mm 0.03~0.2inch	36.8 <sup>+0.2</sup> <sub>-0.2</sub> 1.45 <sup>+0.008</sup> <sub>-0.008</sub>	15.3 <sup>+0.2</sup> <sub>-0.2</sub> .60 <sup>+0.008</sup> <sub>-0.008</sub>
Operation Temperature	-20°C~85°C				
Operation force	800±200 gram				

Material: Case and bottom are nylon-66, actuator is nylon-66 with 33% glass fiber, terminals are silver plated copper.  
Waterproof and dust proof to IP-56.  
UV resistant.



Unit: mm

This is a publication by Conrad Electronic SE, Klaus-Conrad-Str. 1, D-92240 Hirschau (www.conrad.com).

All rights including translation reserved. Reproduction by any method, e.g. photocopy, microfilming, or the capture in electronic data processing systems require the prior written approval by the editor. Reprinting, also in part, is prohibited. This publication represents the technical status at the time of printing.

© Copyright 2017 by Conrad Electronic SE.