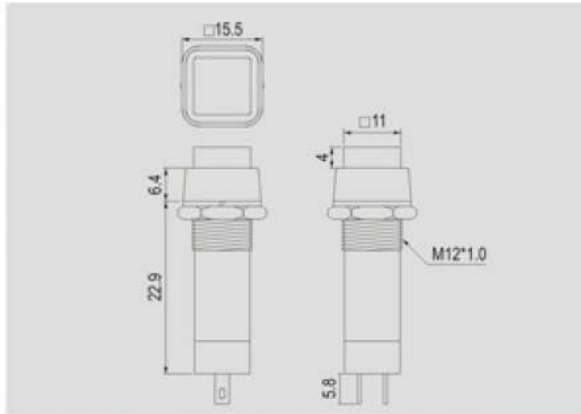
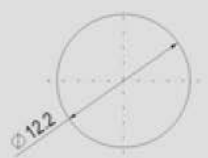
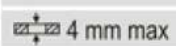


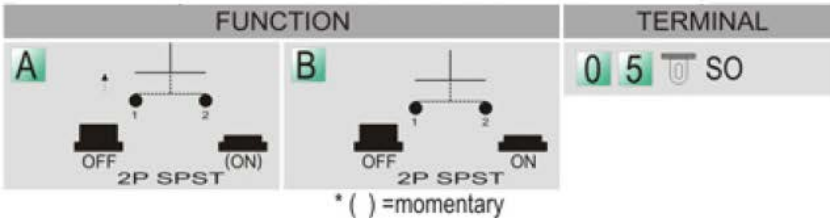
## Push button switch, dark green - type OFF/(ON)



<b>Rating</b>	3A 125V AC 1.5A 250V AC
<b>Contact resistance</b>	50mΩ Max
<b>Insulation resistance</b>	DC 500V 100MΩ Min
<b>Dielectric strength</b>	AC 1000V 1 minute
<b>Cut-out</b>	
	

### FEATURES

- \* MATERIAL: Actuators are ABS ( UL Frames: 94HB).
- \* Phenolic base.
- \* Mounted by nut.



Unit: mm