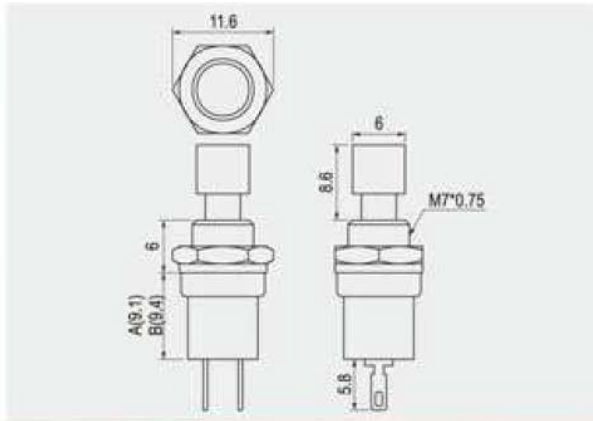


Datasheet

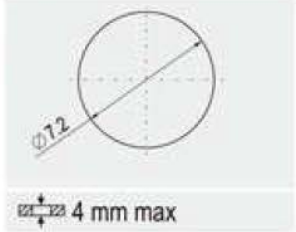
Item no. 1587872

V1_0817_01_en

Push Switch, Blue


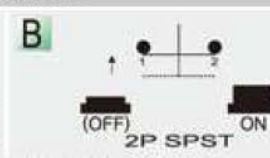

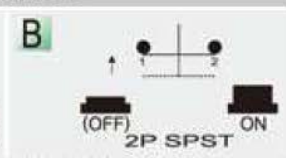


Rating
3A 125V AC 1.5A 250V AC
Contact resistance
50mΩ Max
Insulation resistance
DC 500V 100MΩ Min
Dielectric strength
AC 1000V 1 minute
Cut-out



FEATURES

- * MATERIAL: Actuator is PBT (UL Frames: 94V-0). Frame is nickel plated metal. Base is PBT (HB).
- * Actuator's size is optional.
- * Mounted by nut.

FUNCTION		BUTTON	TERMINAL
A  2P SPST OFF (ON)	B  2P SPST (OFF) ON * () =momentary	 Ø6*5.6	0 5 SO
		 Ø10*8.5	

Unit: mm

This is a publication by Conrad Electronic SE, Klaus-Conrad-Str. 1, D-92240 Hirschau (www.conrad.com).

All rights including translation reserved. Reproduction by any method, e.g. photocopy, microfilming, or the capture in electronic data processing systems require the prior written approval by the editor. Reprinting, also in part, is prohibited. This publication represents the technical status at the time of printing.

© Copyright 2017 by Conrad Electronic SE.