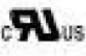
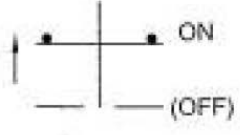
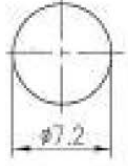


# Datasheet

Item no. 1587877

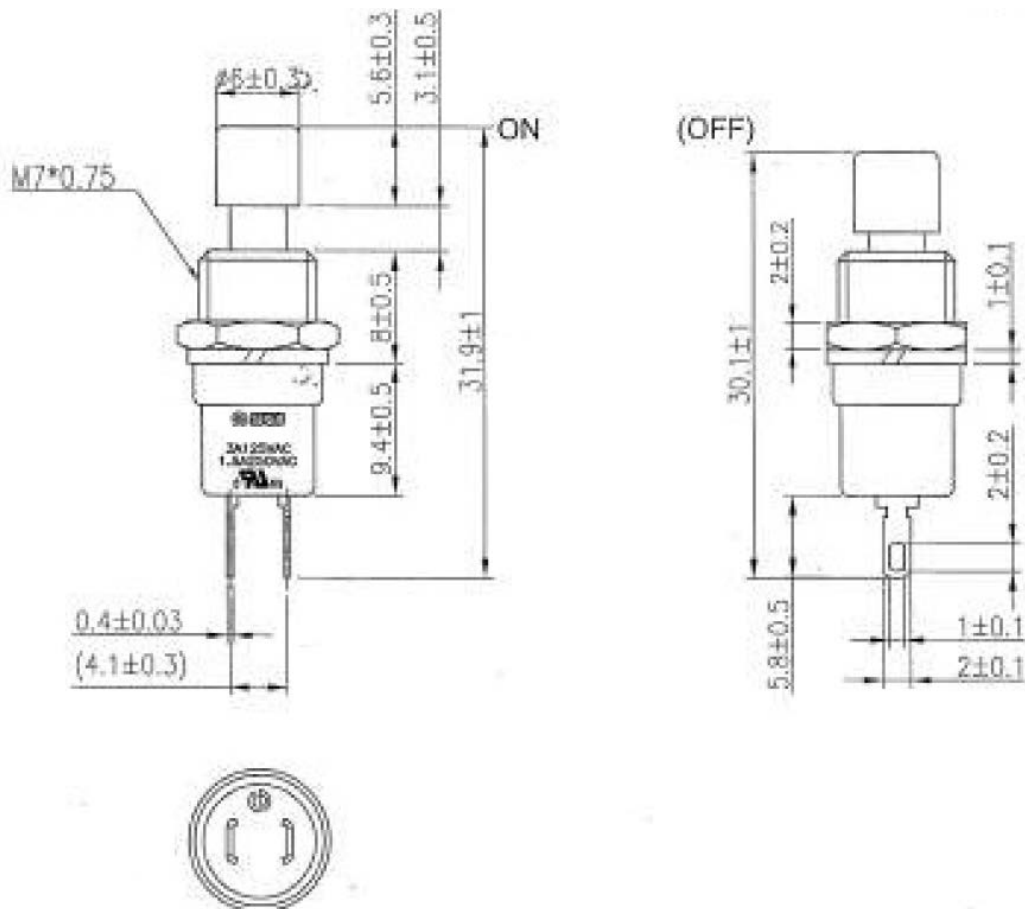
V1\_0817\_01\_en

## Push Switch, Black Actuator

Rating	3A 125V AC 1.5A 250V AC		Mounting Hole	Circuit Diagram
Contact Resistance	50mΩ Max			
Insulation Resistance	DC 500V 100MΩ Min.			
Dielectric Strength	AC 1000V 1 minute			
Switch Function	2P SPST (OFF)-ON			
Button	∅6x5.6			
Operation Temperature	0°C~55°C			
Mounting Hole				



Material:  
 Button: Black,ABS  
 Slide Shaft: White,ABS  
 Base: Coffee,PBT  
 1 Hex Nut Assy  
 1 Spring Washer Assy



Unit: mm

This is a publication by Conrad Electronic SE, Klaus-Conrad-Str. 1, D-92240 Hirschau (www.conrad.com).

All rights including translation reserved. Reproduction by any method, e.g. photocopy, microfilming, or the capture in electronic data processing systems require the prior written approval by the editor. Reprinting, also in part, is prohibited. This publication represents the technical status at the time of printing.

© Copyright 2017 by Conrad Electronic SE.