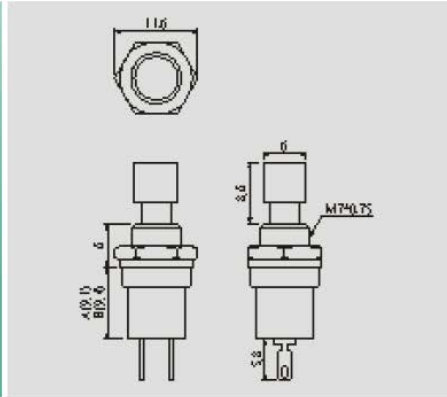


## Push Switch, Black Actuator



### Rating

1.5A 125V AC

1.5A 250V AC

### Contact resistance

50mΩ [ Max

### Insulation resistance

DC 500V

100MΩ [ Min

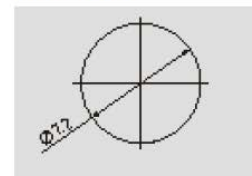
### Dielectric strength

AC 1000V 1 minute

### FEATURES

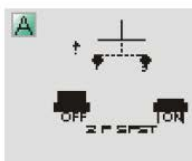
- MATERIAL: Actuators are ABS ( UL Frames: 94HB). Frames are nickel plated brass.
- Phenolic base.

### Cut-out



4 mm max

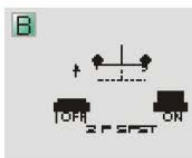
### FUNCTION BUTTON TERMINAL



1 Ø6\*5.8



0 5 Soder



2 Ø10\*8.5



Unit: mm