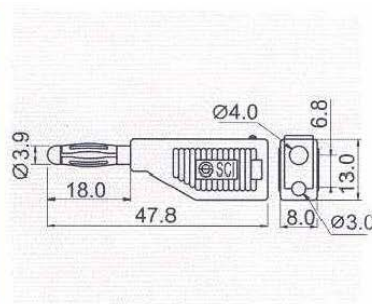
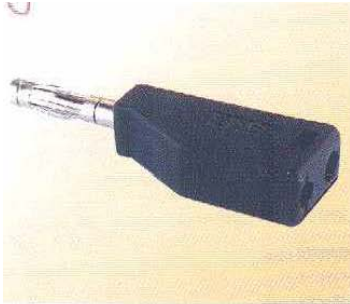


Banana plug, 10A, blue



FEATURES:

- Material:
Plug: nickel plated heat treated beryllium copper.
Handle: PVC.
- Fits O.D. less $\varnothing 3$ mm wire by soldering or $\varnothing 4.0$ mm banana plug.
- Fits $\varnothing 4$ mm standard banana socket.

Red, Black,
(Blue, Yellow, Green)

10A

DC500V 100M Ω

AC 1500V 1 minute

-20°C ~ +80°C

Unit: mm