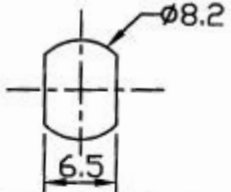


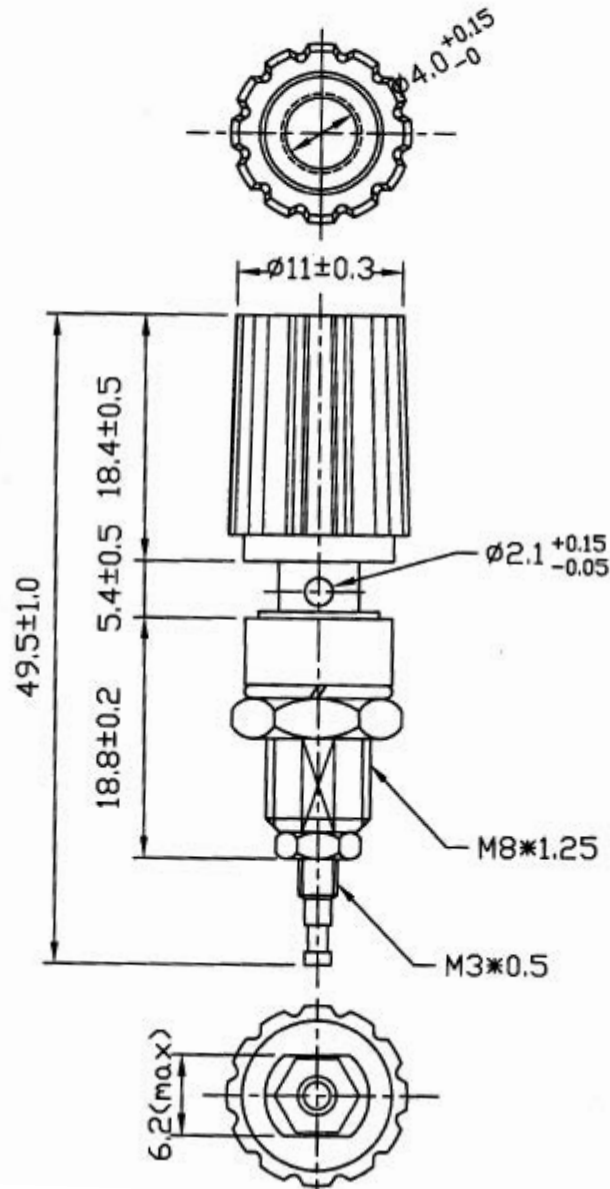
Datasheet

Item no. 1587899

V1_0817_01_en

Binding Post, blue

Rating	10A 125V AC	Mount Hole 
Contact R	50m ohm Max	
Insulation R	DC 500V 100M ohm Min.	
Dielectric Strength	AC 1000V 1 minute	



Unit mm

This is a publication by Conrad Electronic SE, Klaus-Conrad-Str. 1, D-92240 Hirschau (www.conrad.com).

All rights including translation reserved. Reproduction by any method, e.g. photocopy, microfilming, or the capture in electronic data processing systems require the prior written approval by the editor. Reprinting, also in part, is prohibited. This publication represents the technical status at the time of printing.

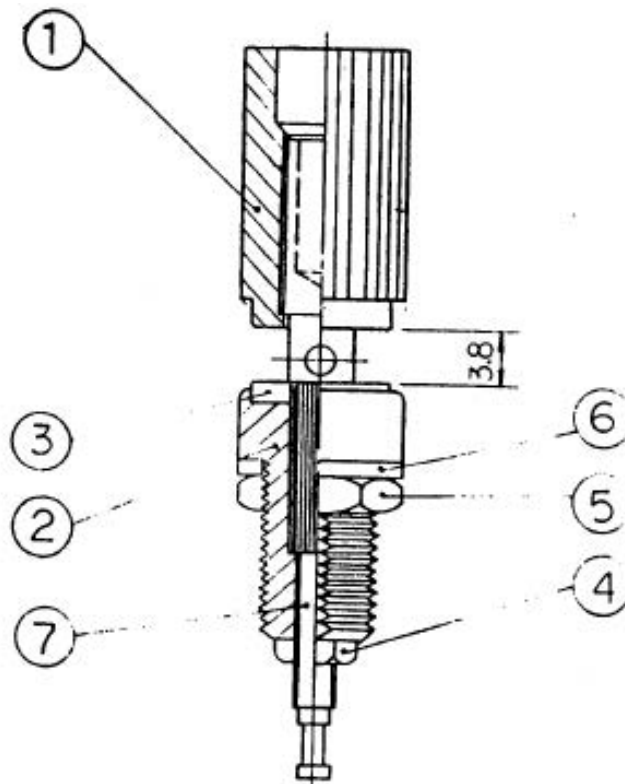
© Copyright 2017 by Conrad Electronic SE.

Datasheet

Item no. 1587899

V1_0817_01_en

Binding Post, blue



7	Bushing	1	Copper Alloy			
8	Washer Spring	1	SWRH	t=1.0± 0.05	Ni-Plating	
5	Hexagon Nut	1	Copper Alloy	t=3.0	Ni-Plating	
4	Contact Strip	1	Copper Alloy	t=2.0	Ni-Plating	
3	Washer Locking	1	Copper Alloy	t=1.0	Ni-Plating	
2	Housing Down	1	Nylon#6			
1	Housing Up	1	PA6			
No	Description	Q'ty	Material	Spec	Finish	Remark

Unit mm

This is a publication by Conrad Electronic SE, Klaus-Conrad-Str. 1, D-92240 Hirschau (www.conrad.com).

All rights including translation reserved. Reproduction by any method, e.g. photocopy, microfilming, or the capture in electronic data processing systems require the prior written approval by the editor. Reprinting, also in part, is prohibited. This publication represents the technical status at the time of printing.

© Copyright 2017 by Conrad Electronic SE.