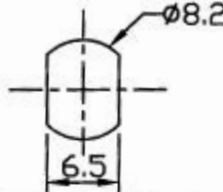
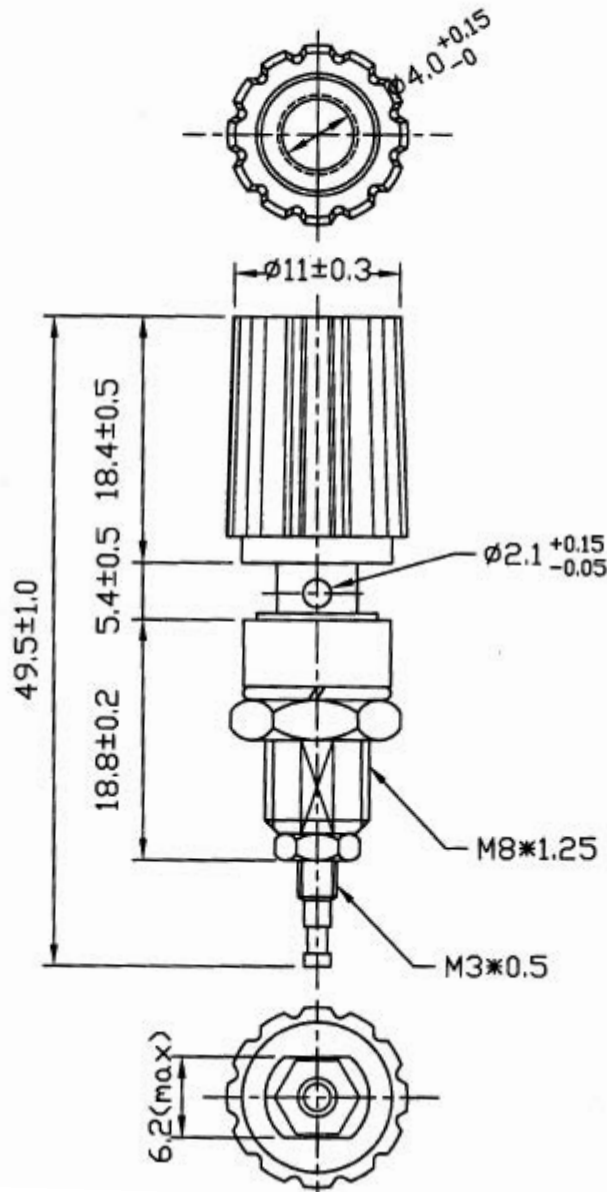


## Binding Posts, red color

<b>Rating</b>	10A 125V AC	<b>Mount Hole</b> 
<b>Contact R</b>	50m ohm Max	
<b>Insulation R</b>	DC 500V 100M ohm Min.	
<b>Dielectric Strength</b>	AC 1000V 1 minute	



Unit mm

This is a publication by Conrad Electronic SE, Klaus-Conrad-Str. 1, D-92240 Hirschau (www.conrad.com).

All rights including translation reserved. Reproduction by any method, e.g. photocopy, microfilming, or the capture in electronic data processing systems require the prior written approval by the editor. Reprinting, also in part, is prohibited. This publication represents the technical status at the time of printing.

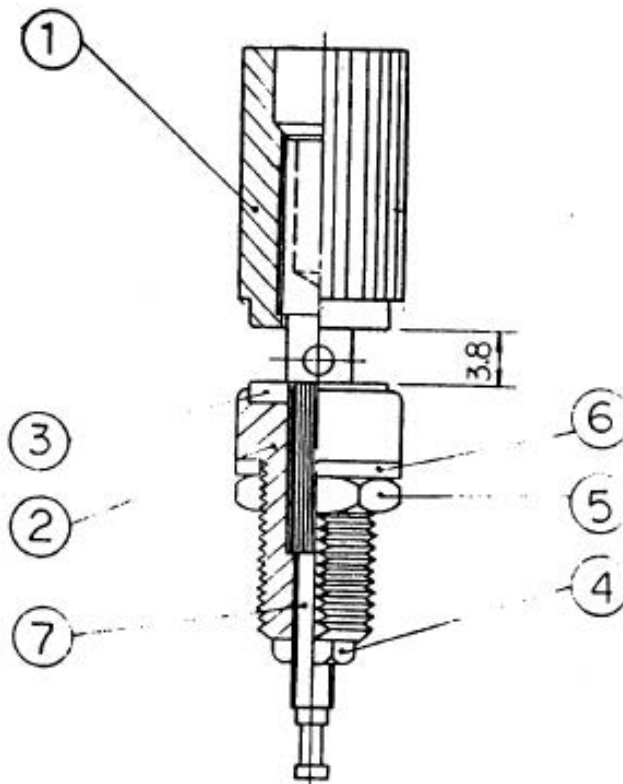
© Copyright 2017 by Conrad Electronic SE.

# Datasheet

Item no. 1587901

V1\_0817\_01\_en

## Binding Posts, red color



7	Bushing	1	Copper Alloy			
8	Washer Spring	1	SWRH	t=1.0± 0.05	Ni-Plating	
5	Hexagon Nut	1	Copper Alloy	t=3.0	Ni-Plating	
4	Contact Strip	1	Copper Alloy	t=2.0	Ni-Plating	
3	Washer Locking	1	Copper Alloy	t=1.0	Ni-Plating	
2	Housing Down	1	Nylon#6			
1	Housing Up	1	PA6			
No	Description	Q'ty	Material	Spec	Finish	Remark

Unit mm

This is a publication by Conrad Electronic SE, Klaus-Conrad-Str. 1, D-92240 Hirschau (www.conrad.com).

All rights including translation reserved. Reproduction by any method, e.g. photocopy, microfilming, or the capture in electronic data processing systems require the prior written approval by the editor. Reprinting, also in part, is prohibited. This publication represents the technical status at the time of printing.

© Copyright 2017 by Conrad Electronic SE.