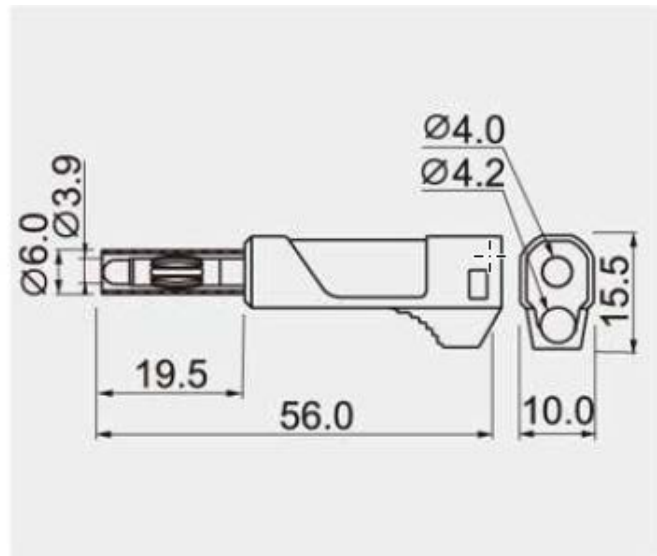


## Banana plug, yellow



Red. Black.  
(Blue. Yellow. Green)

30A

DC500V 100M $\Omega$

AC 1500V 1 minute

-20°C ~ +80°C

### FEATURES:

- Material:  
Plug: nickel plated heat treated beryllium copper.  
Handle: nylon.
- Fits  $\varnothing$  4mm banana plug or O.D. less than  $\varnothing$  4mm wire by soldering.
- Sliding sleeve for plug.
- Fits  $\varnothing$  4mm standard banana socket.

Unit: mm