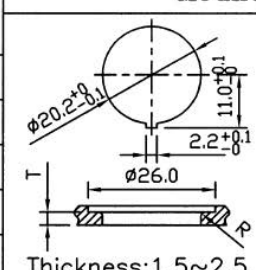
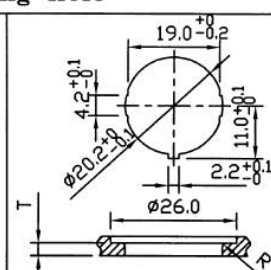
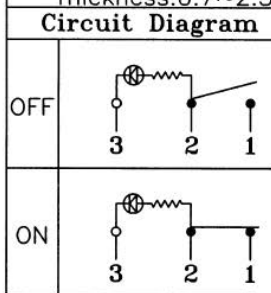
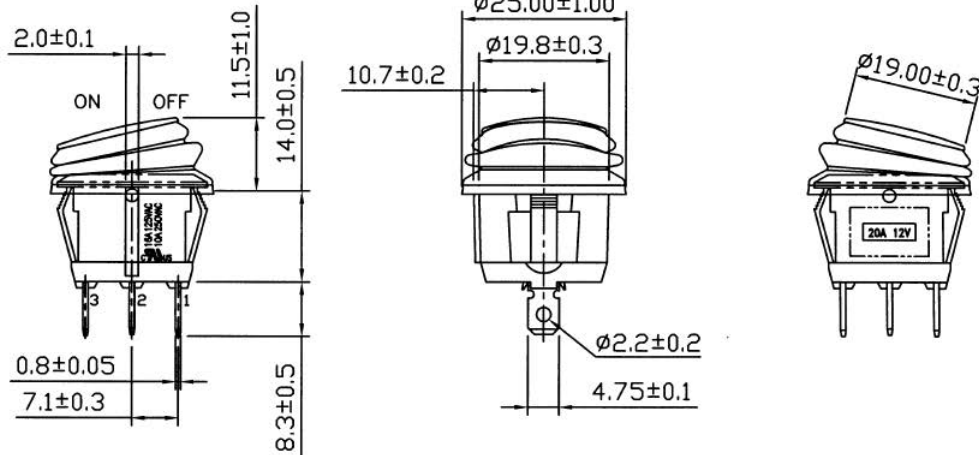
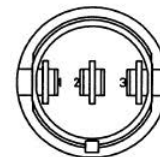


# Rocker Switch, red, Waterproof, 16A/125 VAC (10A/250 VAC)

Rating	20A 12VDC	
Contact Resistance	50m ohm Max.	
Insulation Resistance	DC 500V 100M ohm Min.	
Dielectric Strength	AC 1500V 1 minute	
Operation Temperature	-20°C~85°C	
Switch Function	3P SPST ON-OFF (LED)	
		<p><b>*MATERIAL:</b>          Frame: Nylon 66 (94-V2)          Actuator: PC (94-V2)          Waterproof rubber: Silicone          Terminals: Silver plated, Copper alloy          Hot Stamping: None          Waterproof: IP65</p>
		<p><b>Circuit Diagram</b></p> 



COLOR	Frame	Actuator	LED	Waterproof Rubber
1823996	Black	Red	Red	Black
1823997	Black	Blue	Blue	Black
1823998	Black	Green	Green	Black



Unit: mm

This is a publication by Conrad Electronic SE, Klaus-Conrad-Str. 1, D-92240 Hirschau (www.conrad.com). All rights including translation reserved. Reproduction by any method, e.g. photocopy, microfilming, or the capture in electronic data processing systems require the prior written approval by the editor. Reprinting, also in part, is prohibited. This publication represents the technical status at the time of printing.