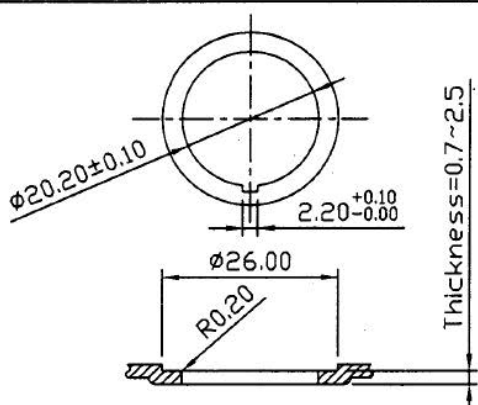
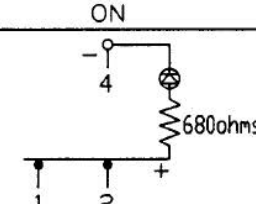
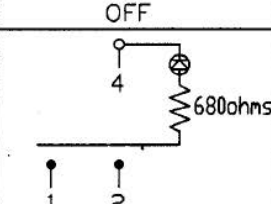
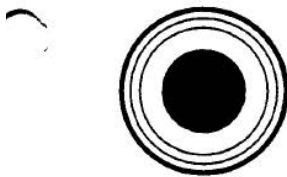
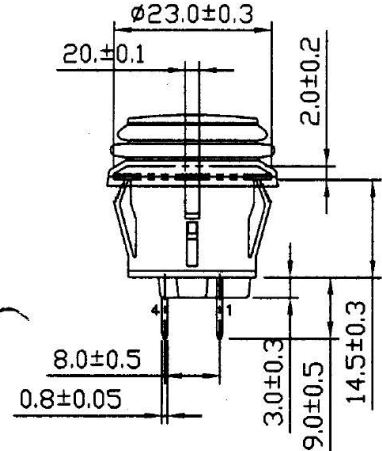
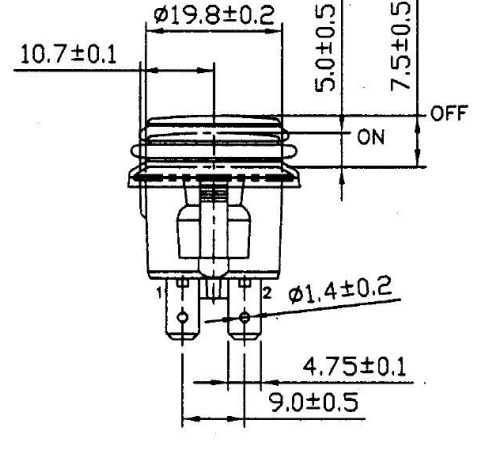


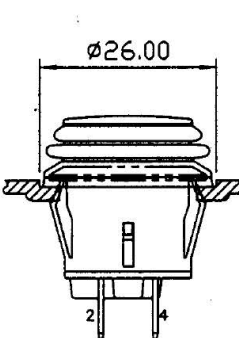
Push Button Switch, Red

Rating	20A 14VDC	<p align="center">Mounting Hole</p> 
Contact R	50m ohm Max.	
Insulation R	DC 500V 100M ohm Min.	
Voltage Breakdown	AC 1500V 1 minute	
Operation Temperature	-25°C ~ 85°C	
Circuit	3P SPST ON-OFF (LED)	
<p>*MATERIAL: Frame: Nylon 66 (94-V2) Actuator: PC clear (94-V2) Waterproof Rubber: Silicone Terminals: Silver plated, Copper alloy Printed: None</p>		
		<p>Circuit Diagram</p> <div style="display: flex; justify-content: space-around;"> <div style="text-align: center;"> <p>ON</p>  </div> <div style="text-align: center;"> <p>OFF</p>  </div> </div>










COLOR	Frame	Actuator	LED	Waterproof Rubber
1830645	Black	Red	Red	Black
1830646	Black	Green	Green	Black



Unit: mm

This is a publication by Conrad Electronic SE, Klaus-Conrad-Str. 1, D-92240 Hirschau (www.conrad.com).
 All rights including translation reserved. Reproduction by any method, e.g. photocopy, microfilming, or the capture in electronic data processing systems require the prior written approval by the editor. Reprinting, also in part, is prohibited. This publication represents the technical status at the time of printing.
 © Copyright 2017 by Conrad Electronic SE.