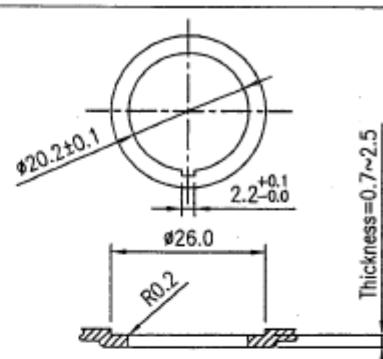



# Data Sheet

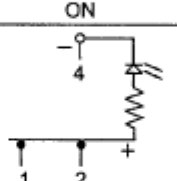
## Push button switch, Blue

Rating	20A 14V DC	<p style="text-align: center;">Mounting Hole</p> 
Contact Resistance	50m ohm Max.	
Insulation Resistance	DC 500V 100M ohm Min.	
Dielectric Strength	AC 1500V 1 minute	
Operation Temperature	-25°C ~ 85°C	
Switch Function	3P SPST ON-OFF (LED dependent)	

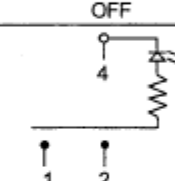
**\*MATERIAL:**  
 Frame: Black Nylon 66 (94-V2)  
 Actuator: Blue, PC clear (94-V2)  
 Waterproof Black, Rubber: Silicone  
 Terminals: Silver plated, Copper alloy  
 LED: Blue  
 Printed: None

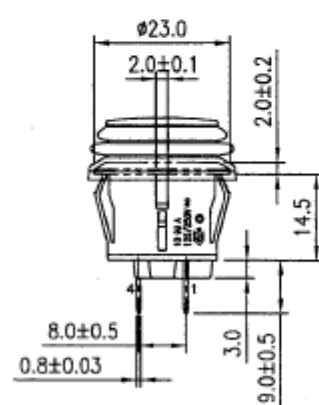


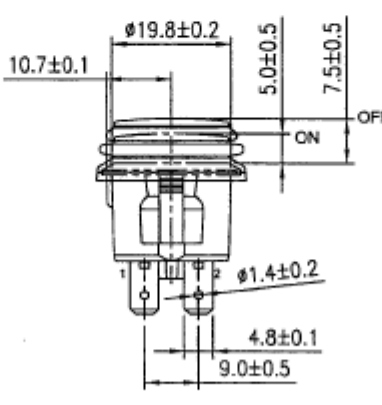
**ON**

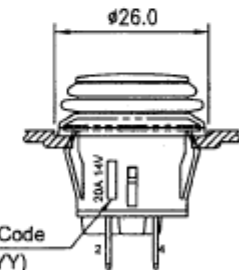



**OFF**














1 · Tolerances ±0.3 Unless Otherwise Specified