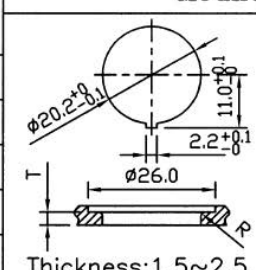
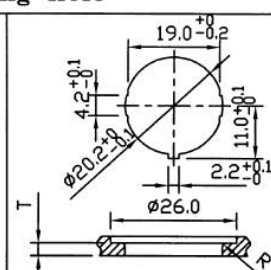
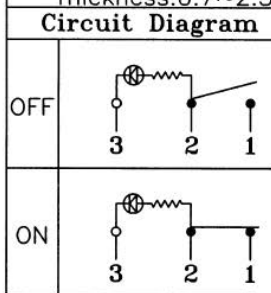

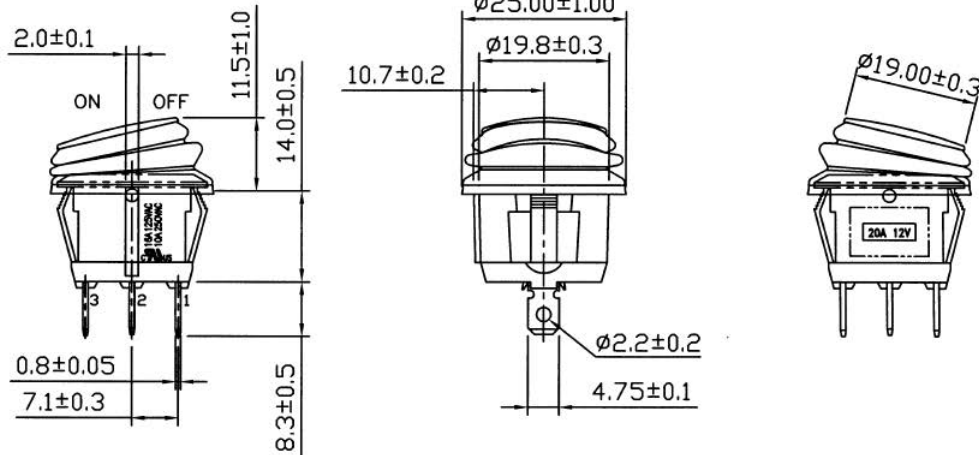
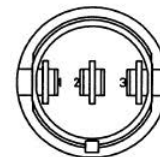


Rocker Switch, Green, Waterproof, 16A/125 VAC (10A/250 VAC)

Rating	20A 12VDC	Mounting Hole 	
Contact Resistance	50m ohm Max.		
Insulation Resistance	DC 500V 100M ohm Min.		
Dielectric Strength	AC 1500V 1 minute	Circuit Diagram	
Operation Temperature	-20°C~85°C		
Switch Function	3P SPST ON-OFF (LED)	<p>*MATERIAL: Frame: Nylon 66 (94-V2) Actuator: PC (94-V2) Waterproof rubber: Silicone Terminals: Silver plated, Copper alloy Hot Stamping: None Waterproof: IP65</p> 	



COLOR	Frame	Actuator	LED	Waterproof Rubber
1823996	Black	Red	Red	Black
1823997	Black	Blue	Blue	Black
1823998	Black	Green	Green	Black



Unit: mm