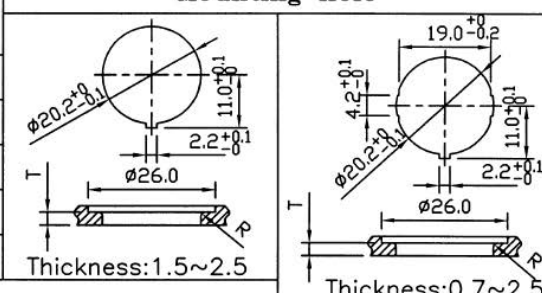

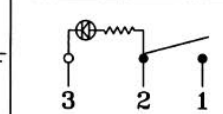
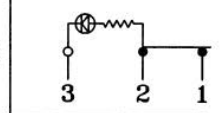
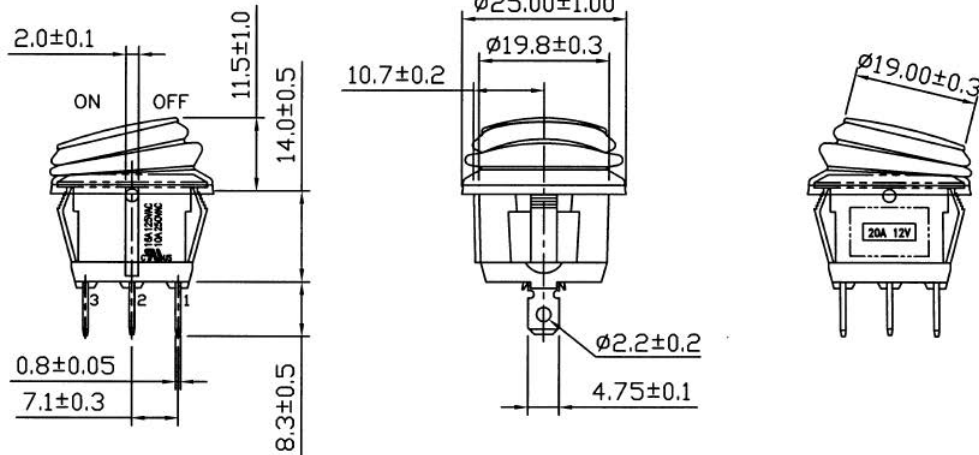
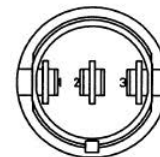


Rocker Switch, Blue, Waterproof, 16A/125 VAC (10A/250 VAC)

Rating	20A 12VDC	
Contact Resistance	50m ohm Max.	
Insulation Resistance	DC 500V 100M ohm Min.	
Dielectric Strength	AC 1500V 1 minute	
Operation Temperature	-20°C~85°C	
Switch Function	3P SPST ON-OFF (LED)	
 <p>*MATERIAL: Frame: Nylon 66 (94-V2) Actuator: PC (94-V2) Waterproof rubber: Silicone Terminals: Silver plated, Copper alloy Hot Stamping: None Waterproof: IP65</p>		<p>Thickness:1.5~2.5</p> <p>Thickness:0.7~2.5</p> <p>Circuit Diagram</p> <p>OFF</p>  <p>ON</p> 



COLOR	Frame	Actuator	LED	Waterproof Rubber
1823996	Black	Red	Red	Black
1823997	Black	Blue	Blue	Black
1823998	Black	Green	Green	Black



Unit: mm