
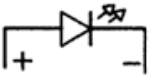
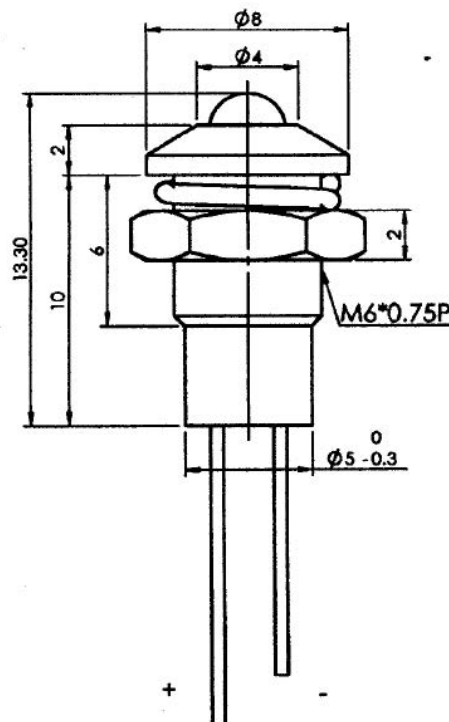


## Indicator Light, 3mm Red LED

Led Color	Lens Color	Vf	If	Viewing Angle	Mcd	Mounting Hole	Circuit Diagram
Red	Red diffused	2.0V	20mA	50°	50	 Panel Thickness: 3.5 max	
Insulation Resistance		DC500V 100M OHM Min					
Dielectric Strength		AC500V 1 Minute					
Operation Temperature		(-)25°C - +85°C					



Unit: mm

Remark:

1. LED Type: Ø3mm
2. Unless Otherwise Specified All Tolerances To Be  $\pm 0.2$
3. ROHS Compliant

This is a publication by Conrad Electronic SE, Klaus-Conrad-Str. 1, D-92240 Hirschau (www.conrad.com).


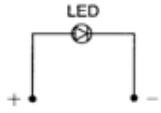
All rights including translation reserved. Reproduction by any method, e.g. photocopy, microfilming, or the capture in electronic data processing systems require the prior written approval by the editor. Reprinting, also in part, is prohibited. This publication represents the technical status at the time of printing.

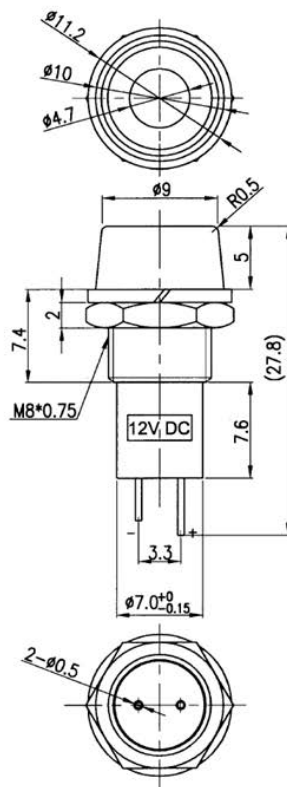
© Copyright 2017 by Conrad Electronic SE.

# Datasheet

Item no. 1588015

V1\_0717\_01\_en

Rating	24V DC	Mounting Hole	Circuit Diagram		
Insulation Resistance	DC 500V 100M ohm Min				
Dielectric Strength	AC 1000V 1 minute				
Operation Temperature	(-)40°C--+70°C				
LED Color	LED Lens Color	Vf	If	View Angle	mcd
Red	Red diffuse	24V	4.2 mA	30°	20
Amber	Amber diffuse	24V	4.2 mA	30°	8
Green	Green diffuse	24V	4.2 mA	30°	8
Blue	Blue diffuse	24V	4 mA	20°	300



Unit: mm

Remark:

1. Chromeplate
2. Tolerances Unless Otherwise Specified  $\pm 0.15$

This is a publication by Conrad Electronic SE, Klaus-Conrad-Str. 1, D-92240 Hirschau (www.conrad.com).

All rights including translation reserved. Reproduction by any method, e.g. photocopy, microfilming, or the capture in electronic data processing systems require the prior written approval by the editor. Reprinting, also in part, is prohibited. This publication represents the technical status at the time of printing.

© Copyright 2017 by Conrad Electronic SE.