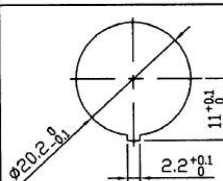
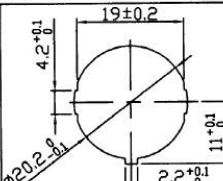
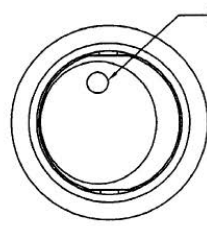
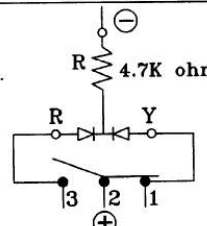
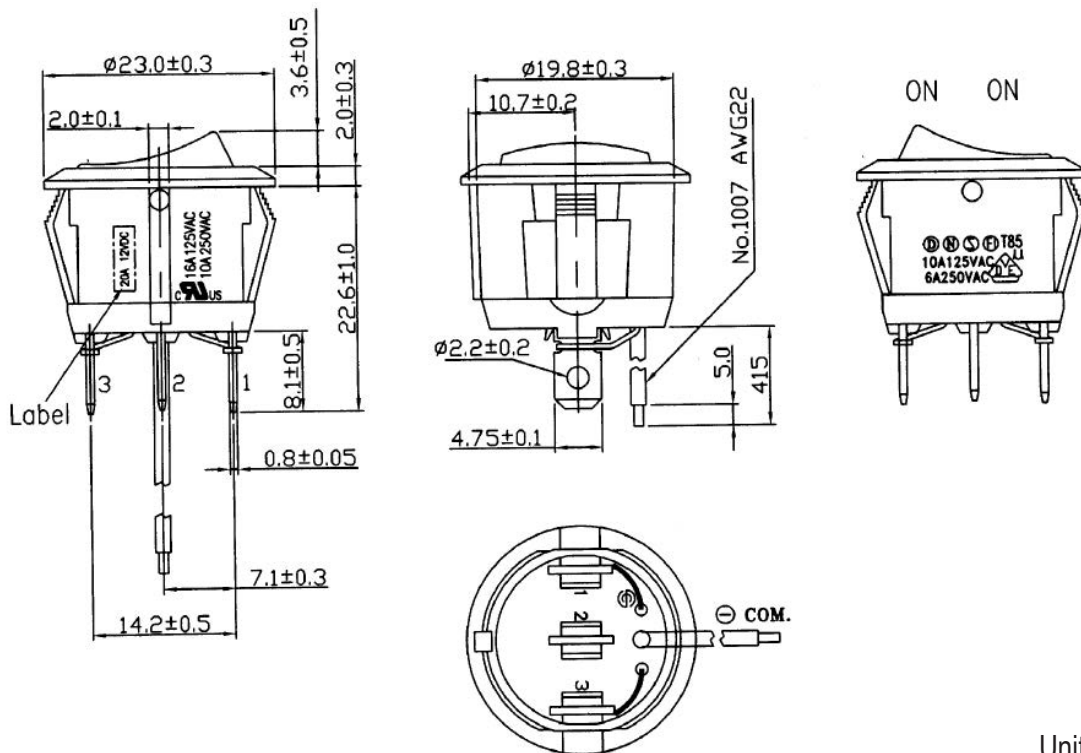


Rocker Switch w/ dual color LED, 12V, On-On

Rating	20A 12V DC	Mounting Hole	
Contact Resistance	50m ohm Max.	 <p>Panel Thickness 2.0~3.0 mm</p>	 <p>Panel Thickness 0.7~3.0 mm</p>
Insulation Resistance	DC 500V 100M ohm Min.		
Dielectric Strength	AC 1500V 1 minute		
Operation Temperature	-20°C~85°C		
Switch Function	3P SPDT ON-ON		

 <p>Clear Lens</p>	<p>Material:</p> <p>Frame: Nylon 66 (94-V2), Black</p> <p>Actuator: Nylon 66 (94-V2), Black</p> <p>Clear Lens: PC Clear (94-V2),</p> <p>Terminals: Silver plated, Copper alloy</p> <p>LED: Bi-colour LED</p>	<p>Diagram</p> 
--	--	--



Unit: mm

This is a publication by Conrad Electronic SE, Klaus-Conrad-Str. 1, D-92240 Hirschau (www.conrad.com).

All rights including translation reserved. Reproduction by any method, e.g. photocopy, microfilming, or the capture in electronic data processing systems require the prior written approval by the editor. Reprinting, also in part, is prohibited. This publication represents the technical status at the time of printing.

© Copyright 2017 by Conrad Electronic SE.