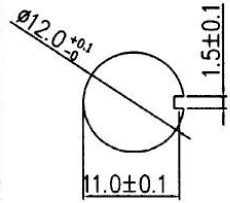
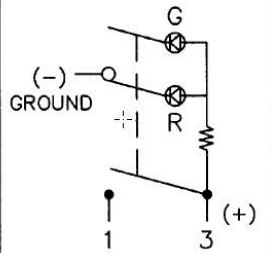
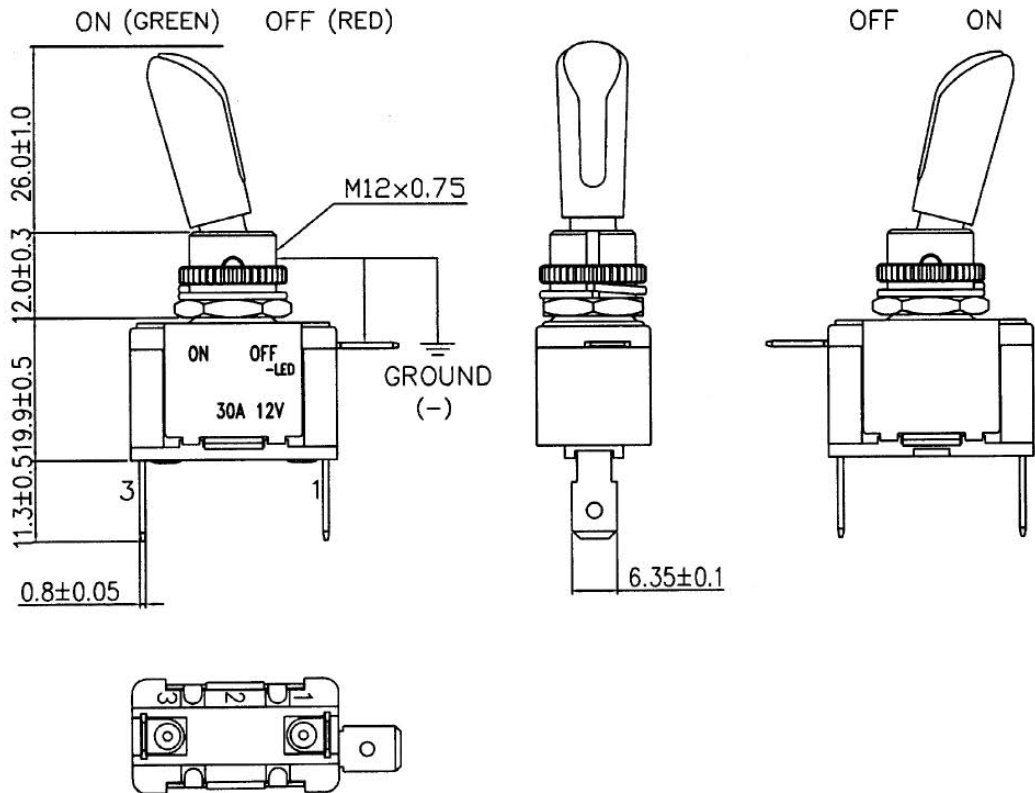
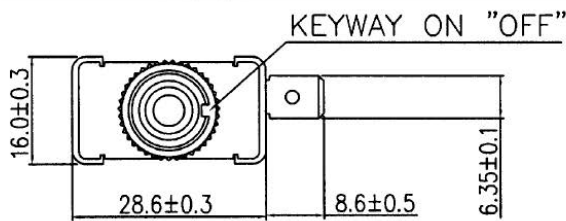


Toggle Switch with Light (LED), 30A, 12V, DC

Rating	30A 12V DC	Mounting Hole	Diagram
Contact Resistance	50m ohm Max.		
Insulation Resistance	DC 500V 100M ohm Min.		
Dielectric Strength	AC 1500V 1 minute		
Operation Temperature	-20°C~85°C		
Switch Function	3P SPST ON-OFF with LED		



Unit: mm