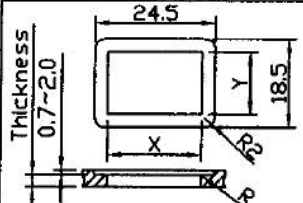
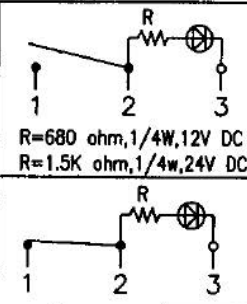
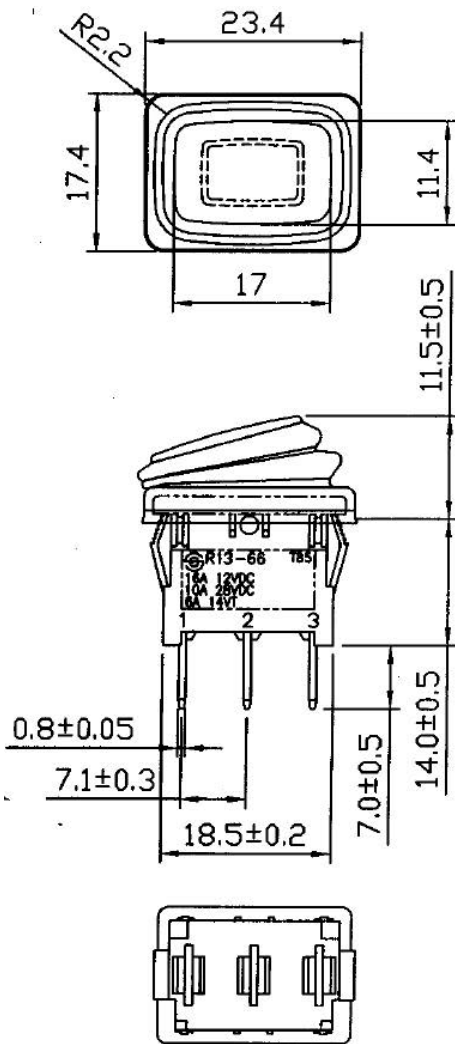


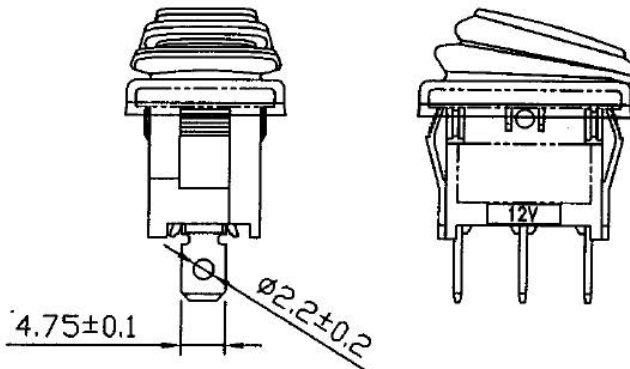
## Water-Proof Switch, IP56, 16A/12 VDC (10A/25 VDC)

<b>Rating</b>	16A 12VDC	<b>Mounting Hole</b> 	<b>Diagram</b> 									
<b>Contact Resistance</b>	50m ohm Max.											
<b>Insulation Resistance</b>	DC 500V 100M ohm Min.											
<b>Dielectric Strength</b>	AC 1500V 1 minute											
<b>Operation Temperature</b>	-20°C ~ 85°C											
<b>Switch Function</b>	3P SPST ON-OFF(LED)	<table border="1"> <thead> <tr> <th>Panel Thickness</th> <th>X</th> <th>Y</th> </tr> </thead> <tbody> <tr> <td>0.75...1.5</td> <td>19.4-0.1</td> <td>13+0.1</td> </tr> <tr> <td>1.5...2.5</td> <td>19.8-0.1</td> <td>13+0.1</td> </tr> </tbody> </table>	Panel Thickness	X	Y	0.75...1.5	19.4-0.1	13+0.1	1.5...2.5	19.8-0.1	13+0.1	
Panel Thickness	X	Y										
0.75...1.5	19.4-0.1	13+0.1										
1.5...2.5	19.8-0.1	13+0.1										



**Material:**

Frame: Nylon 66 (94-V2), Black  
 Actuator: PC clear (94-V2), Red  
 Waterproof Rubber: Silicone, Black  
 Terminals: Silver plated, Copper alloy  
 Waterproof: IP65  
 LED: Red



Unit: mm