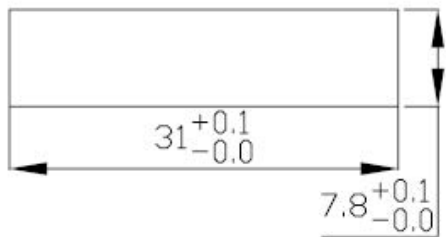


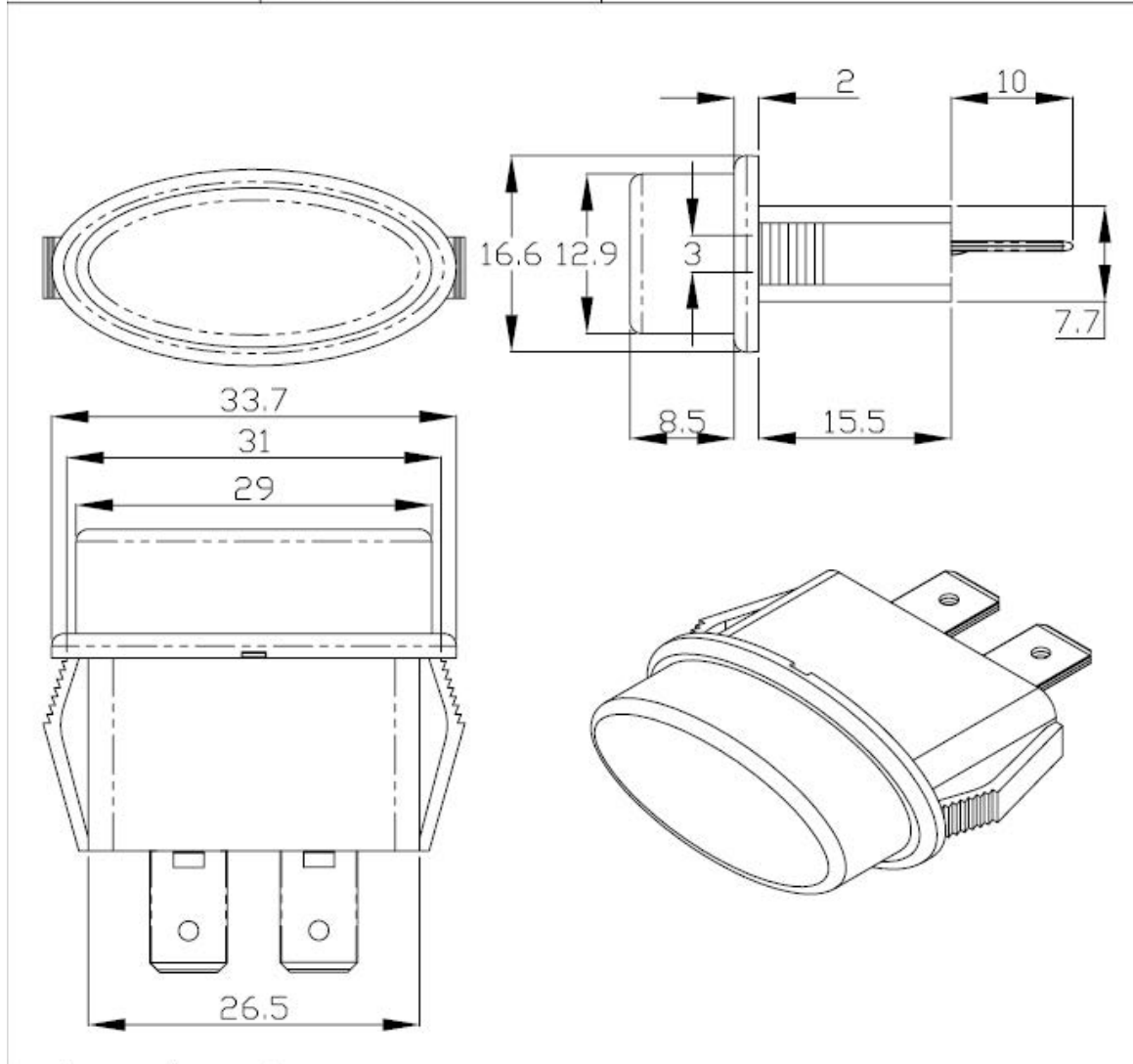
# Datasheet

Item no. 1587939

V1\_0817\_01\_en

## Fuse Holder, R3-67,w/o LED

Rating	30A 12/24VDC	<p style="text-align: center;">Mounting Hole</p>  <p style="text-align: center;">31<sup>+0.1</sup><sub>-0.0</sub></p> <p style="text-align: right;">7.8<sup>+0.1</sup><sub>-0.0</sub></p>
Contact R		
Insulation R	DC 500V 100M ohm Min.	
Dielectric Strength	AC 1000V 1 minute	
Operation Temperature	-25°~85°	
Fuse Type	BLADE FUSE	



Unit mm

This is a publication by Conrad Electronic SE, Klaus-Conrad-Str. 1, D-92240 Hirschau (www.conrad.com).

All rights including translation reserved. Reproduction by any method, e.g. photocopy, microfilming, or the capture in electronic data processing systems require the prior written approval by the editor. Reprinting, also in part, is prohibited. This publication represents the technical status at the time of printing.

© Copyright 2017 by Conrad Electronic SE.