
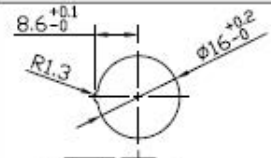
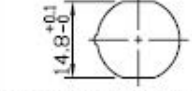


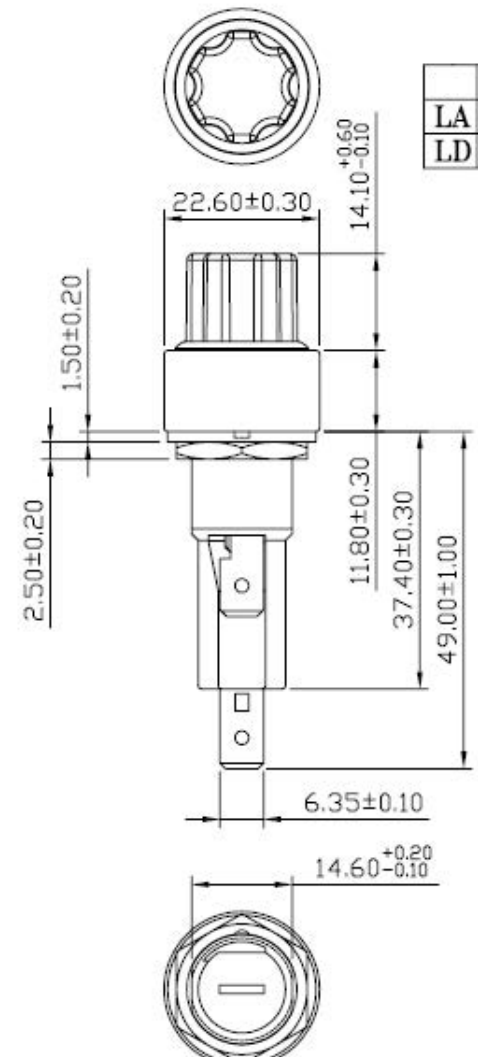
Datasheet

Item no. 1587940

V1_0817_01_en

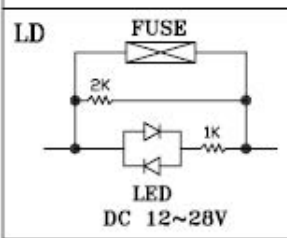
Fuse Holder

Rating	20A 250VAC 20A 28VDC		Mounting Hole	Circuit Diagram
Contact R	20m ohm Max.			
Insulation R	DC 500V 100M ohms Min.			
Dielectric Strength	AC 1500V 1 minute		Thickness=0.5~10.0mm	
Fuse Cap	Screw type			
Fuse Size	ø6.35x31.8, ø6.4x30			



FUNCTIONS

	None illumination
LA	With illumination for AC rating
LD	With illumination for DC rating



LD

FUSE

2K

1K

LED

DC 12~28V

*MATERIAL:
 Frame: Phenolic (94-V1)
 Cap: PC (94-V2)
 Terminals: Silver plated, Copper alloy

Unit mm

This is a publication by Conrad Electronic SE, Klaus-Conrad-Str. 1, D-92240 Hirschau (www.conrad.com).

All rights including translation reserved. Reproduction by any method, e.g. photocopy, microfilming, or the capture in electronic data processing systems require the prior written approval by the editor. Reprinting, also in part, is prohibited. This publication represents the technical status at the time of printing.

© Copyright 2017 by Conrad Electronic SE.