
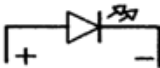
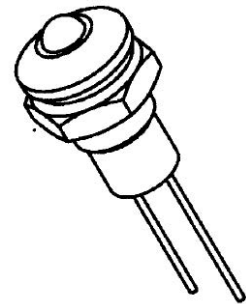
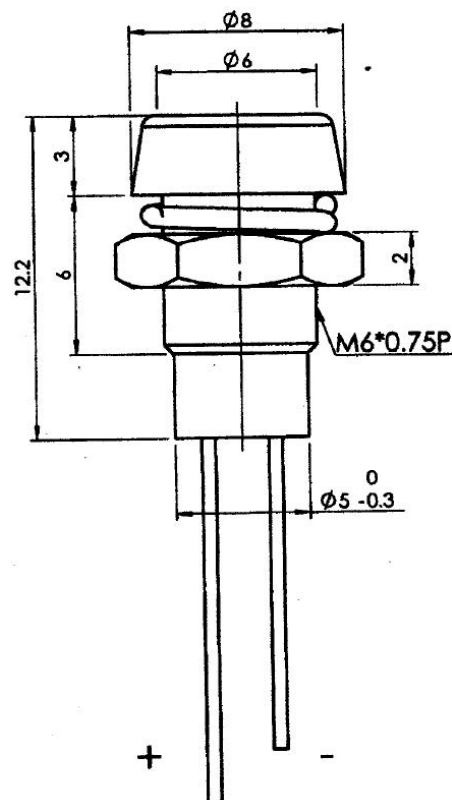


## Indicator Light, 3mm Green LED, Green Diffused Lens

Rating	See Table Below	Mounting Hole	Circuit Diagram		
Contact Resistance	See Table Below	 Panel Thickness: 3.5 max			
Insulation Resistance	DC500V 100M OHM Min				
Dielectric Strength	AC500V 1 Minute				
Operation Temperature	(-)25°C - +85°C				
Led Color	Lens Color	Vf	If	Viewing Angle	Mcd
Red	Red diffused	2.0V	20mA	50°	50
Green	Green diffused	2.1V	20mA	50°	45
Yellow	Yellow diffused	2.1V	20mA	50°	40



Unit: mm

Remark:

1. LED Type: Ø3mm
2. Unless Otherwise Specified All Tolerances To Be ±0.2
3. ROHS Compliant

This is a publication by Conrad Electronic SE, Klaus-Conrad-Str. 1, D-92240 Hirschau (www.conrad.com).

All rights including translation reserved. Reproduction by any method, e.g. photocopy, microfilming, or the capture in electronic data processing systems require the prior written approval by the editor. Reprinting, also in part, is prohibited. This publication represents the technical status at the time of printing.

© Copyright 2017 by Conrad Electronic SE.