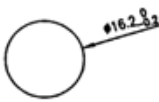

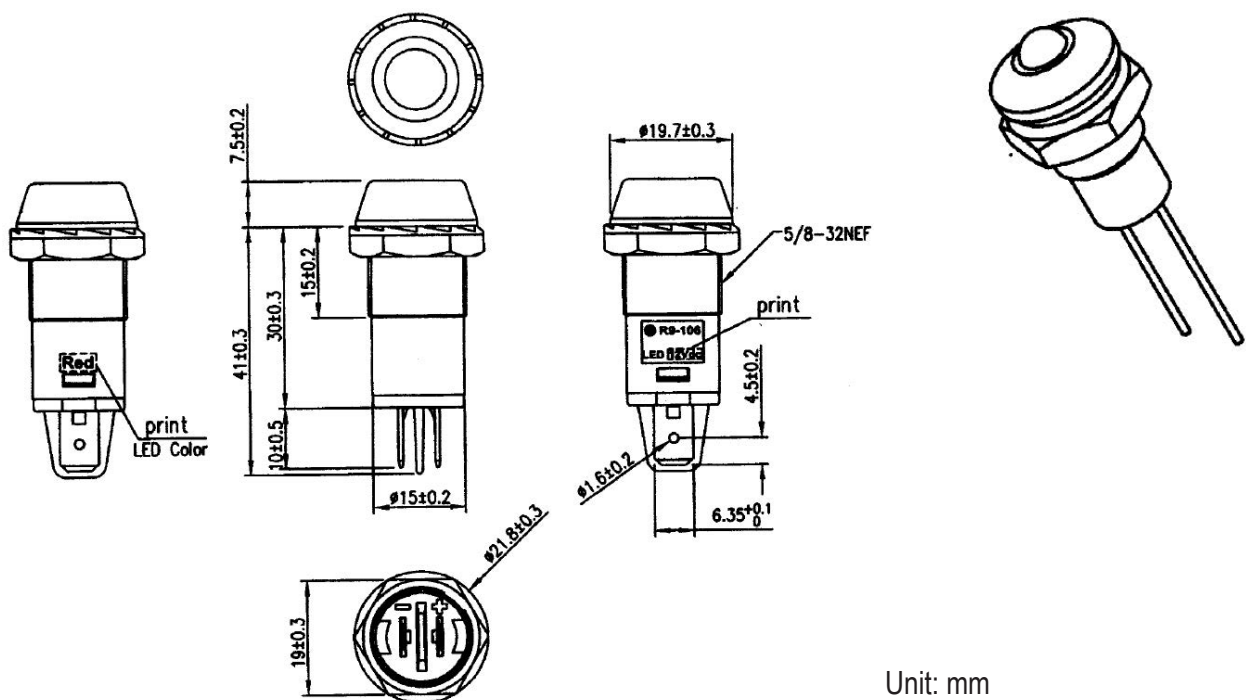


Indicator Light, 10mm Green LED, White Diffused Lens

Rating	12V DC 20mA	Mounting Hole	Circuit Diagram		
Insulation Resistance	DC 500V 100M ohm Min				
Dielectric Strength	AC 1500V 1 minute				
Operation Temperature	(-)20°C-+85°C				
		Panel Thickness: 0.5-0.9			
LED Color	LED Lens Color	Vf	If	Viewing Angle	Mcd
Red	White Diffuse	2.4V	20mA	110°	250
Amber	White Diffuse	2.4V	20mA	120°	200
Green	White Diffuse	3.9V	20mA	120°	700
Blue	White Diffuse	3.8V	20mA	120°	300
White	White Diffuse	3.8V	20mA	150°	500



Unit: mm

Material:

Frame & button: Nylon 66 (94V-2)

Terminal: Nickel plated brass

LED: Ø10.0 diffused

Nut: Plastic

This is a publication by Conrad Electronic SE, Klaus-Conrad-Str. 1, D-92240 Hirschau (www.conrad.com).

All rights including translation reserved. Reproduction by any method, e.g. photocopy, microfilming, or the capture in electronic data processing systems require the prior written approval by the editor. Reprinting, also in part, is prohibited. This publication represents the technical status at the time of printing.

© Copyright 2017 by Conrad Electronic SE.