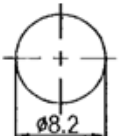
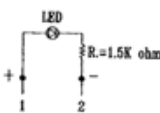
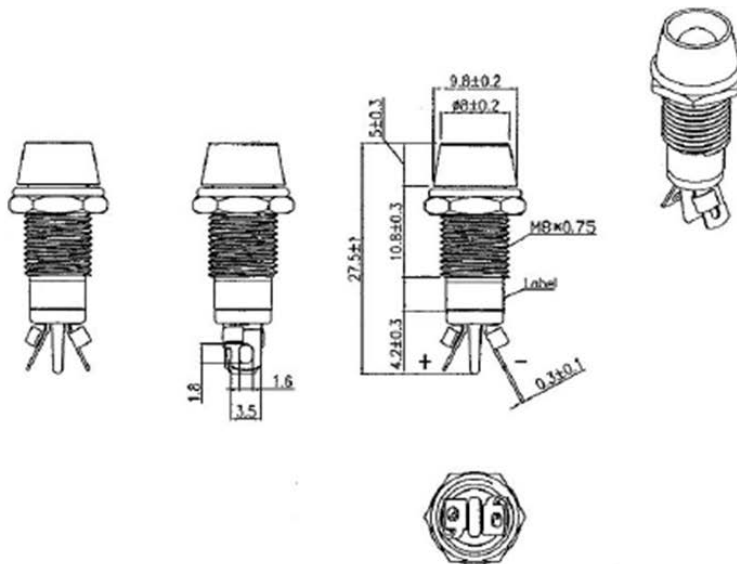


LED indicator, Green, 24V DC, 5mm

| | | | | | |
|-----------------------|-----------------------|---|--|------------|-----|
| Rating | 24V DC | Mounting Hole | Circuit Diagram | | |
| Life | 100,000/ hrs |  |  | | |
| Insulation Resistance | DC 500V 100M ohm Min. | | | | |
| Dielectric Strength | AC 500V 1 minute | | | | |
| Operation Temperature | (-)20°C-+85°C | | | | |
| LED Color | LED Lens Color | VF | IF | View Angle | Mcd |
| Red | Color diffuse | 3.5V | 20mA | 30° | 100 |
| Yellow | Color diffuse | 3.5V | 20mA | 30° | 100 |
| Green | Color diffuse | 2.1V | 20mA | 15° | 90 |



Unit: mm

Remark:

1. LED Type : Ø5 mm
2. Unless otherwise specified all tolerances to be ± 3

This is a publication by Conrad Electronic SE, Klaus-Conrad-Str. 1, D-92240 Hirschau (www.conrad.com).

All rights including translation reserved. Reproduction by any method, e.g. photocopy, microfilming, or the capture in electronic data processing systems require the prior written approval by the editor. Reprinting, also in part, is prohibited. This publication represents the technical status at the time of printing.

© Copyright 2017 by Conrad Electronic SE.