


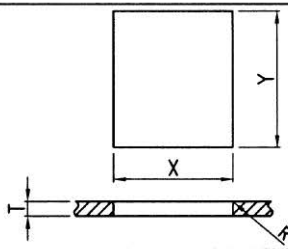
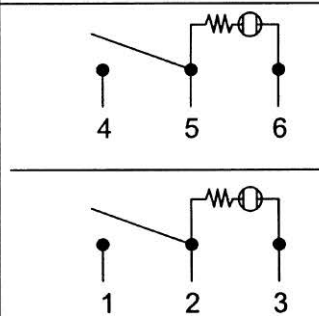
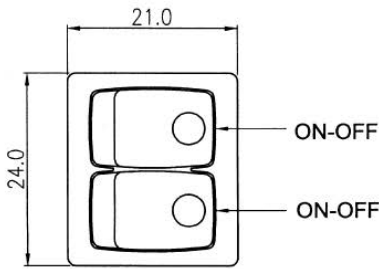


Rocker Switch , 6A 250V AC, 3P SPST ON -OFF

Rating	10A125VAC 6A250VAC  6A 250VAC  16A125VAC 10A250VAC 	Mounting Hole 	Circuit Diagram 												
Contact Resistance	50m ohm Max.														
Insulation Resistance	DC 500V 100M ohm Min.														
Dielectric Strength	AC 1500V 1 minute														
Operation Temperature	-25°C ~ 85°C														
Switch Function	3P SPST ON-OFF(Neon) 3P SPST ON-OFF(Neon)	<table border="1"> <thead> <tr> <th>Thickness</th> <th>X</th> <th>Y</th> </tr> </thead> <tbody> <tr> <td>0.75...1.25</td> <td>19.2-0.1</td> <td>22.2+0.1</td> </tr> <tr> <td>1.25...2.0</td> <td>19.4-0.1</td> <td>22.2+0.1</td> </tr> <tr> <td>2.0.....3.0</td> <td>19.8-0.1</td> <td>22.2+0.1</td> </tr> </tbody> </table>	Thickness	X	Y	0.75...1.25	19.2-0.1	22.2+0.1	1.25...2.0	19.4-0.1	22.2+0.1	2.0.....3.0	19.8-0.1	22.2+0.1	
Thickness	X	Y													
0.75...1.25	19.2-0.1	22.2+0.1													
1.25...2.0	19.4-0.1	22.2+0.1													
2.0.....3.0	19.8-0.1	22.2+0.1													



Material:

Frame: Black, Nylon 66 (94-V2)

Actuator: Black, Nylon 66 (94-V2)

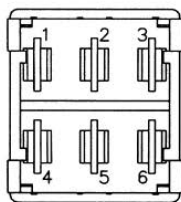
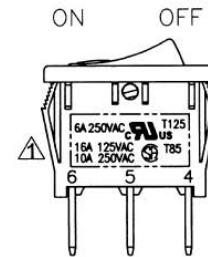
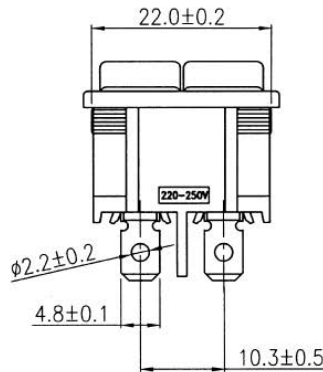
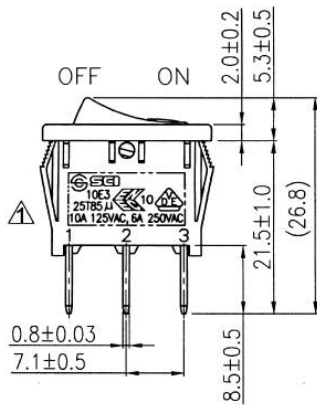
Lens: Red Clear, PC (94-V2)

Terminals 1,2,4,5: Silver plated, Copper alloy

Terminals 3,6: Brass alloy

Light: Neon

Hot stamping: None



Tolerances Unless Otherwise Specified ±0.3 Unit: mm

This is a publication by Conrad Electronic SE, Klaus-Conrad-Str. 1, D-92240 Hirschau (www.conrad.com).

All rights including translation reserved. Reproduction by any method, e.g. photocopy, microfilming, or the capture in electronic data processing systems require the prior written approval by the editor. Reprinting, also in part, is prohibited. This publication represents the technical status at the time of printing.

© Copyright 2017 by Conrad Electronic SE.