
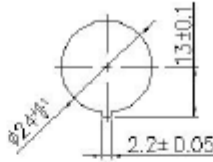
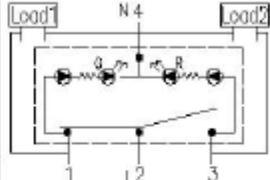
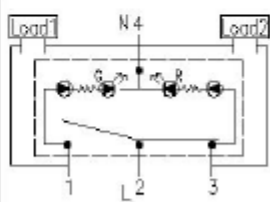
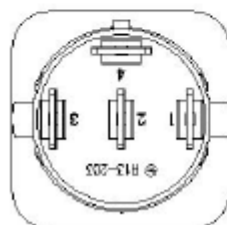
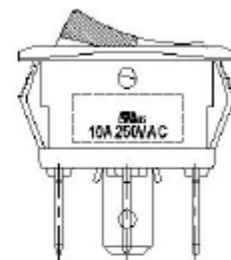
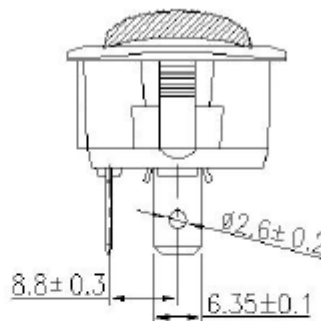
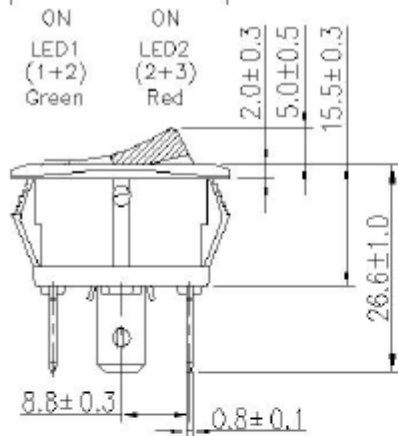
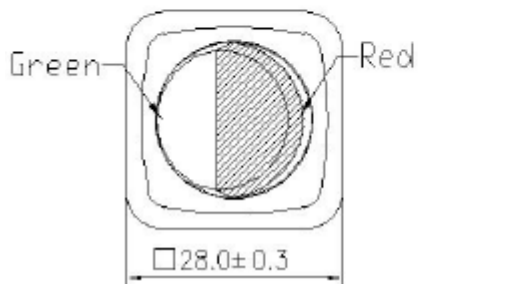


# Data Sheet

## Description name: Rocker Switch

<b>Rating</b>	10A 250V AC		<b>Mounting Hole</b>	<b>Circuit Diagram</b>
<b>Contact Resistance</b>	50m ohm Max.			Switch ON(1+2), Green LED Lighten
<b>Insulation Resistance</b>	DC 500V 100M ohm Min.			
<b>Dielectric Strength</b>	AC 1500V 1 minute			
<b>Operation Temperature</b>	-25°C~85°C			
<b>Switch Function</b>	4P SPDT ON-ON (2*LED)	Thickness 1.0~4.0 mm		



**\*MATERIAL:**

Frame: Nylon 66 (94 V-2),Black.

Actuator: PC (94 V-2).Green\Red

Terminals: Silver plated Copper alloy

Printed: None

LED1: Switch ON(1+2), Green LED Lighten

LED2: Switch ON(2+3), Red LED Lighten