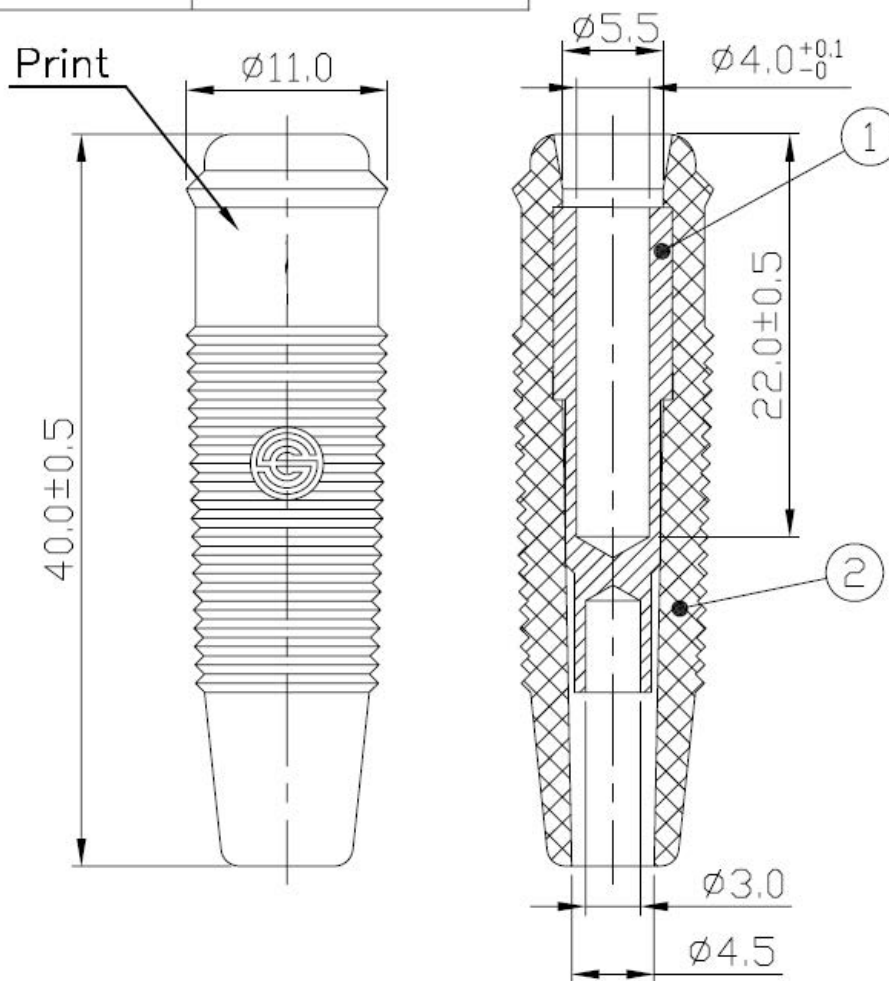


Banana Socket, Yellow

Rating	10A 35V AC/70V DC
Insulation Resistance	DC 500V 100M ohm Min.
Dielectric Strength	AC 1500V 1 minute



Unless otherwise specified tolerances ± 0.3

2	Copper terminal	1	Copper Alloy	Ni-Plating
1	Housing	1	PVC	Black/Red/Blue/Green/Yellow

Unit mm

This is a publication by Conrad Electronic SE, Klaus-Conrad-Str. 1, D-92240 Hirschau (www.conrad.com).

All rights including translation reserved. Reproduction by any method, e.g. photocopy, microfilming, or the capture in electronic data processing systems require the prior written approval by the editor. Reprinting, also in part, is prohibited. This publication represents the technical status at the time of printing.

© Copyright 2017 by Conrad Electronic SE.