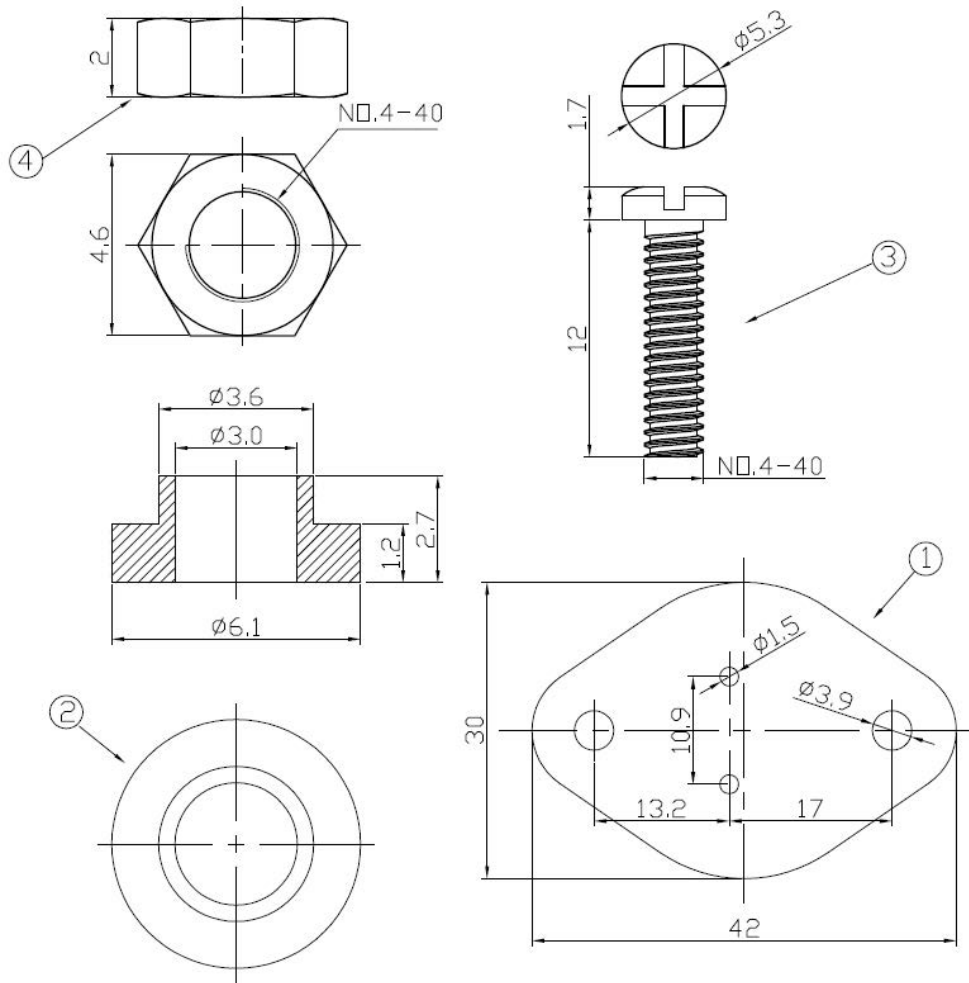


# Mounting Hardware "TO 3"



Unit: mm

Tolerance(mm)			
1<	$\pm 0.1$	16-63	$\pm 0.3$
1-4	$\pm 0.1$	63-250	$\pm 0.5$
4-16	$\pm 0.2$		

4	Nut	2	Fe	4.6*2*NO.4-40		
3	Screw	2	Fe	NO.4-40*12		
2	Bushing	2	PA#66			
1	Mica	1	Mica	t=0.1mm		
No	Description	Q'ty	Material	Specification	Finish	Remark

This is a publication by Conrad Electronic SE, Klaus-Conrad-Str. 1, D-92240 Hirschau (www.conrad.com).

All rights including translation reserved. Reproduction by any method, e.g. photocopy, microfilming, or the capture in electronic data processing systems require the prior written approval by the editor. Reprinting, also in part, is prohibited. This publication represents the technical status at the time of printing.

© Copyright 2017 by Conrad Electronic SE.