
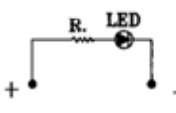
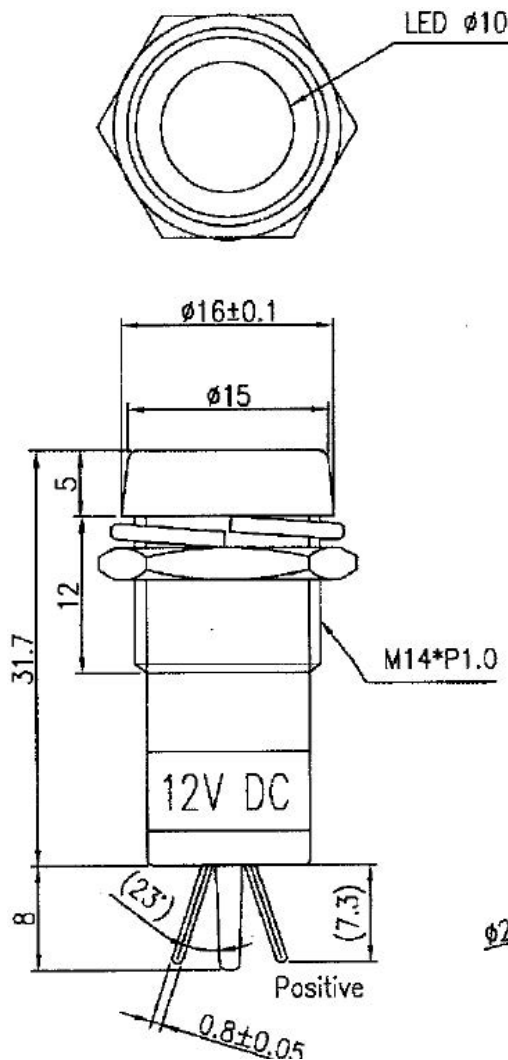
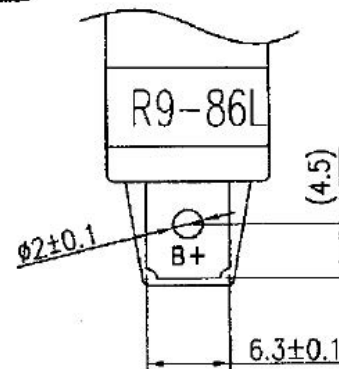


Indicator Light, Blue, 12V DC

Rating	12V DC	Mounting Hole	Circuit Diagram			
Insulation Resistance	DC 500V 100M Ohm Min.					
Dielectric Strength	AC 500V 1 Minute					
Operation Temperature	(-)20°C+85°C					
LED Color	LED Lens Color	Vf	If	IV (mcd)	View Angle	
Blue	Red Diffuse	3.3V	20mA	290	20°	



Material
 Body: Chromium Plated Brass
 Base: Phenolic
 Terminal: Nickel Plated Brass



Unit: mm

Tolerance Unless Otherwise Specified ± 0.3