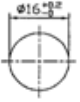
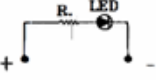
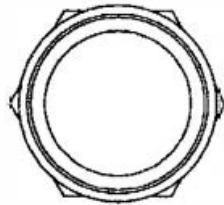
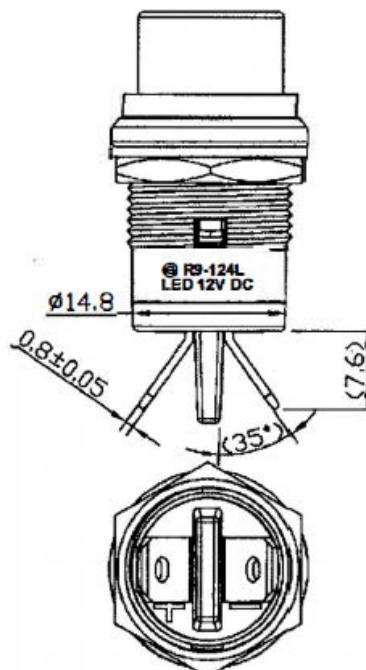
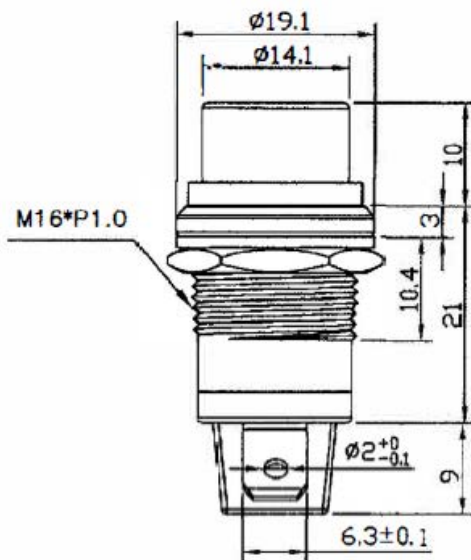


Indicator Light, Red,12V DC

Rating	12V DC	Mounting Hole	Circuit Diagram		
Insulation Resistance	DC 500V 100M Ohm Min.				
Dielectric Strength	AC 1500V 1 Minute				
Operation Temperature	(-)20°C-+85°C				
LED Color	LED Lens Color	Vf	If	IV (mcd)	View Angle
Red	White Diffuse	2.2V	20mA	120	100°



Material
 Lens: PMMA, Red
 Body And Base: PBT
 Terminal: Nickel Plated Brass
 Nut: Nickel Plated Zinc Alloy



Unit: mm

Tolerance Unless Otherwise Specified ±3

This is a publication by Conrad Electronic SE, Klaus-Conrad-Str. 1, D-92240 Hirschau (www.conrad.com).

All rights including translation reserved. Reproduction by any method, e.g. photocopy, microfilming, or the capture in electronic data processing systems require the prior written approval by the editor. Reprinting, also in part, is prohibited. This publication represents the technical status at the time of printing.

© Copyright 2017 by Conrad Electronic SE.