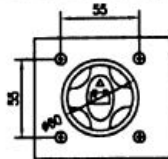
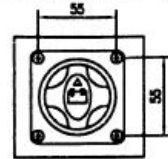
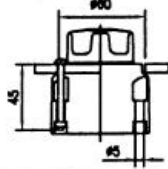
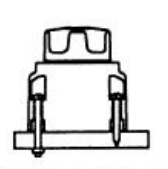
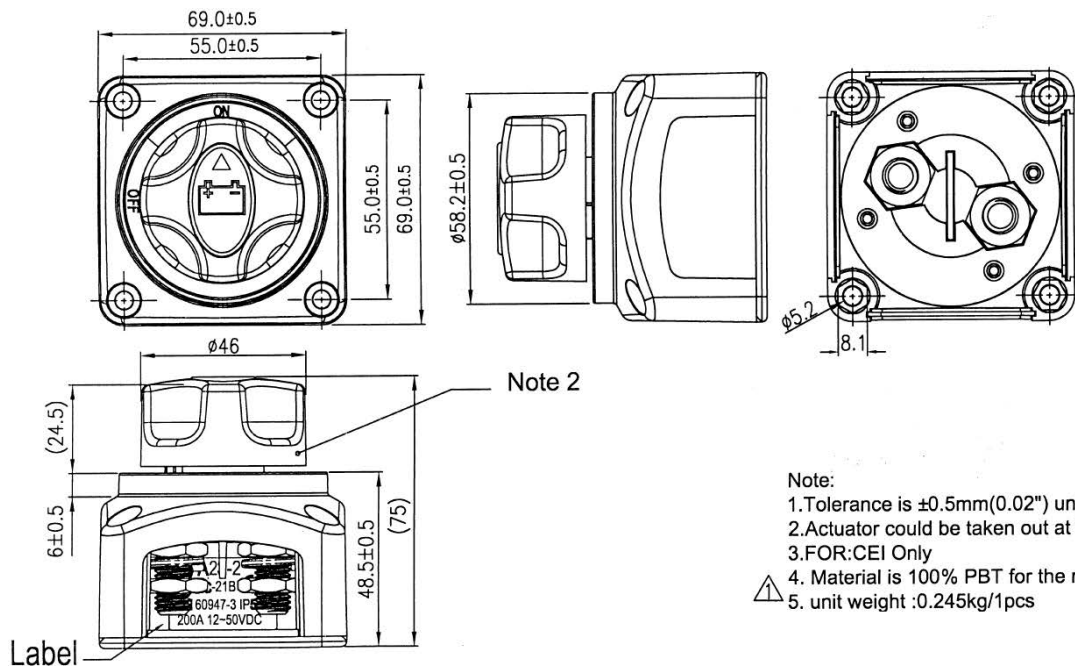
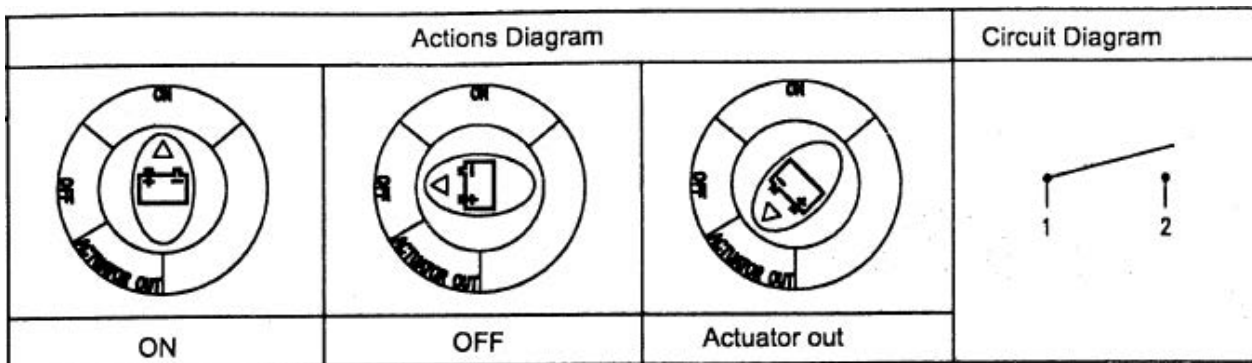


# Battery switch, 12-50V DC, ON-OFF

Continuous Rating	200 Amps 12-50V DC	Mounting Hole	
Intermittent Rating	300 Amps	A	B
Cranking Rating	1000 Amps		
Contact Resistance	50m ohm Max.		
Insulation Resistance	DC 1000V 100M ohm Min.		
Dielectric Strength	DC 2000V 1 minute		
	AC 1000V 1 minute		
Operation Temperature	-20° C~80° C		
Switch Function	ON/OFF/SEPARATE		
Actuation Force	5±0.5 Kgf-cm		



- Note:
1. Tolerance is ±0.5mm(0.02") unless otherwise noted.
  2. Actuator could be taken out at identified position.
  3. FOR:CEI Only
  4. Material is 100% PBT for the red & black part.
  5. unit weight :0.245kg/1pcs

Unit: mm

This is a publication by Conrad Electronic SE, Klaus-Conrad-Str. 1, D-92240 Hirschau (www.conrad.com).

All rights including translation reserved. Reproduction by any method, e.g. photocopy, microfilming, or the capture in electronic data processing systems require the prior written approval by the editor. Reprinting, also in part, is prohibited. This publication represents the technical status at the time of printing.

© Copyright 2017 by Conrad Electronic SE.