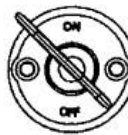
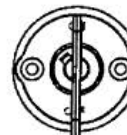
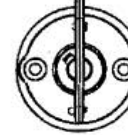

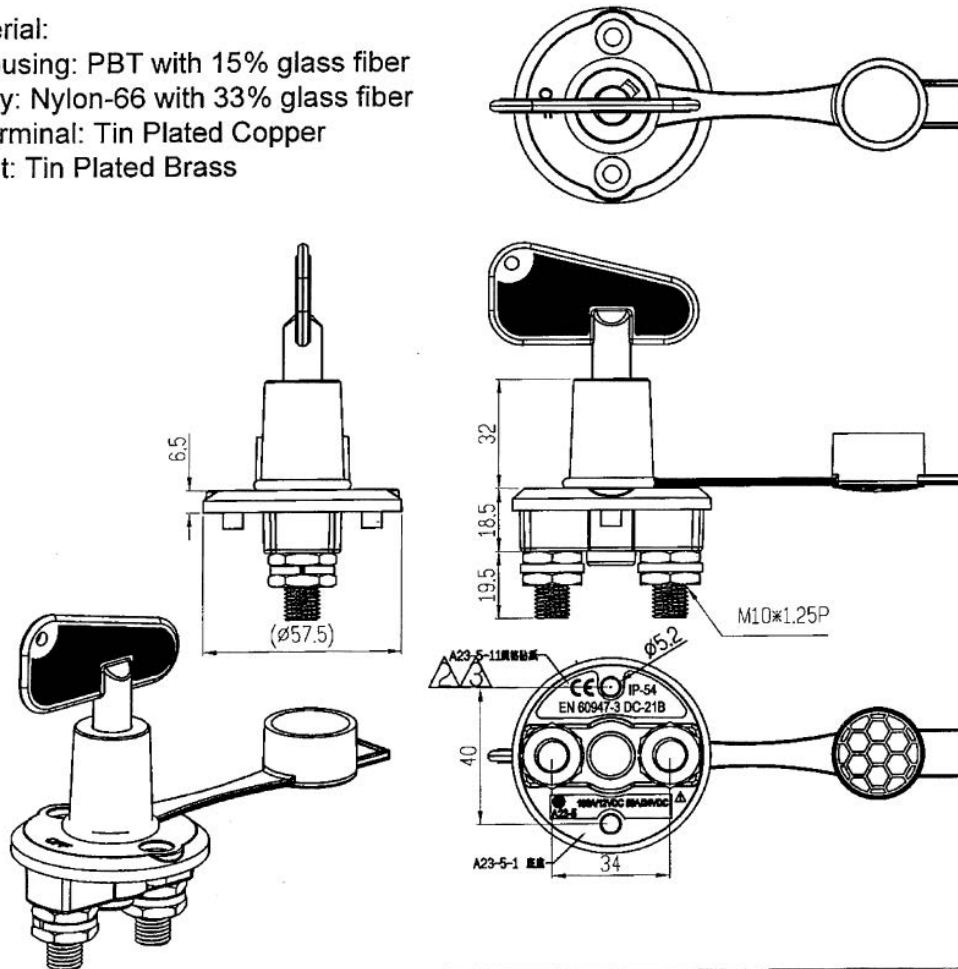


## Battery switch, 12-24V DC, OFF/ON

Continuous Rating	100A 12VDC	Circuit Diagram		
	50A 24VDC			
Intermittent Rating	150A 12VDC , 75A 24VDC	Key Out	ON	OFF
Insulation Resistance	DC 1000V 100M ohm Min.			
Dielectric Strength	DC 2000V 1 minute 			
	AC 1000V 1 minute			
Operation Temperature	-20°C~85°C			
Switch Function	OFF/ON			

**Material:**

Housing: PBT with 15% glass fiber  
 Key: Nylon-66 with 33% glass fiber  
 Terminal: Tin Plated Copper  
 Nut: Tin Plated Brass



Unit: mm

This is a publication by Conrad Electronic SE, Klaus-Conrad-Str. 1, D-92240 Hirschau (www.conrad.com).

All rights including translation reserved. Reproduction by any method, e.g. photocopy, microfilming, or the capture in electronic data processing systems require the prior written approval by the editor. Reprinting, also in part, is prohibited. This publication represents the technical status at the time of printing.

© Copyright 2017 by Conrad Electronic SE.