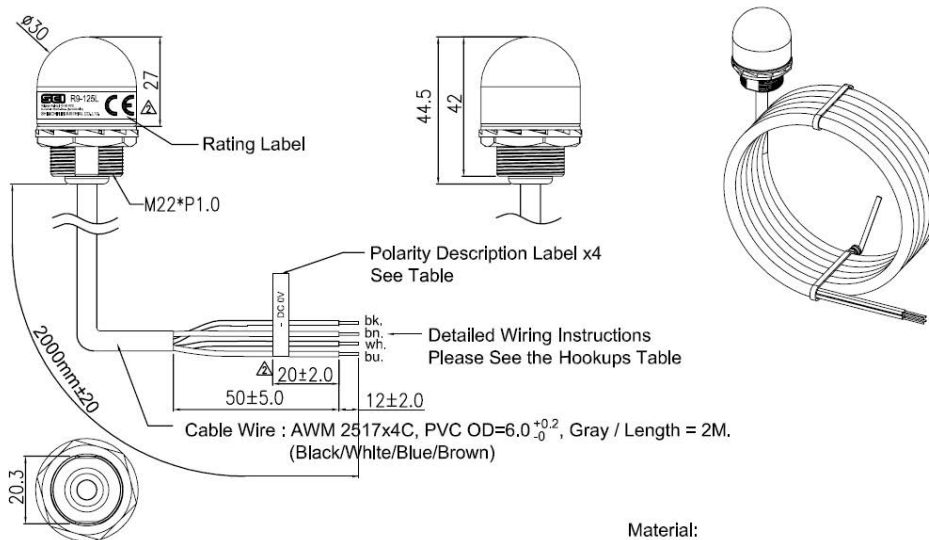


# Industrial LED Warning Indicator Light with 3 LEDs (Green/ Red/ Amber)



Cable Wire Specification and Label

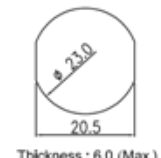
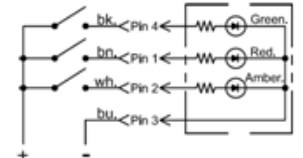
No.	Specification	Color	Label Description
1.	AWM 1569/22AWG/17/0.16	Black	+ DC 10~30V (Green)
2.	AWM 1569/22AWG/17/0.16	White	+ DC 10~30V (Amber)
3.	AWM 1569/22AWG/17/0.16	Blue	- DC 0V (Blue)
4.	AWM 1569/22AWG/17/0.16	Brown	+ DC 10~30V (Red)

Material:  
 Cover/Adaptor : PC. (UL.94V-2)  
 Housing : Polyamid 66 (UL.94V-2)  
 Nut : POM.(UL.94HB)

Descriptions:  
 Water Proof and Dust proof to fit IP67.  
 Mounting Torque: 20 in-lb (2.25Nm.)max.

Unit: mm

LED Specification				
LED Function	VF	IF	Iv (mcd)	View Angle
Red On	2.2V	20mA	1500	120°
Amber On	2.0V	20mA	500	120°
Green On	3.3V	20mA	600	120°
Hookups				
PNP Models				
Brown Wire	White Wire	Black Wire	Blue Wire	
Positive (+)			Negative (-)	
	Positive (+)		Negative (-)	
		Positive (+)	Negative (-)	

Rating	10-30 VDC	Mounting Hole	Circuit Diagram
Current	25mA. Max. (per LED color)		
Hookups	PNP Models		
Operation Temperature	(-)25°C - +85°C		
EMC	EN 61000-6-4		
	EN 61000-6-2		

Tolerance : ±0.3mm Unless Otherwise Specified.

This is a publication by Conrad Electronic SE, Klaus-Conrad-Str. 1, D-92240 Hirschau (www.conrad.com).

All rights including translation reserved. Reproduction by any method, e.g. photocopy, microfilming, or the capture in electronic data processing systems require the prior written approval by the editor. Reprinting, also in part, is prohibited. This publication represents the technical status at the time of printing.

© Copyright 2017 by Conrad Electronic SE.