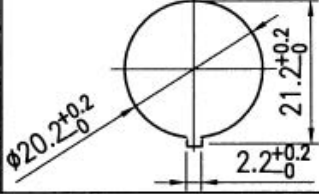
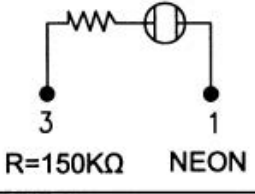
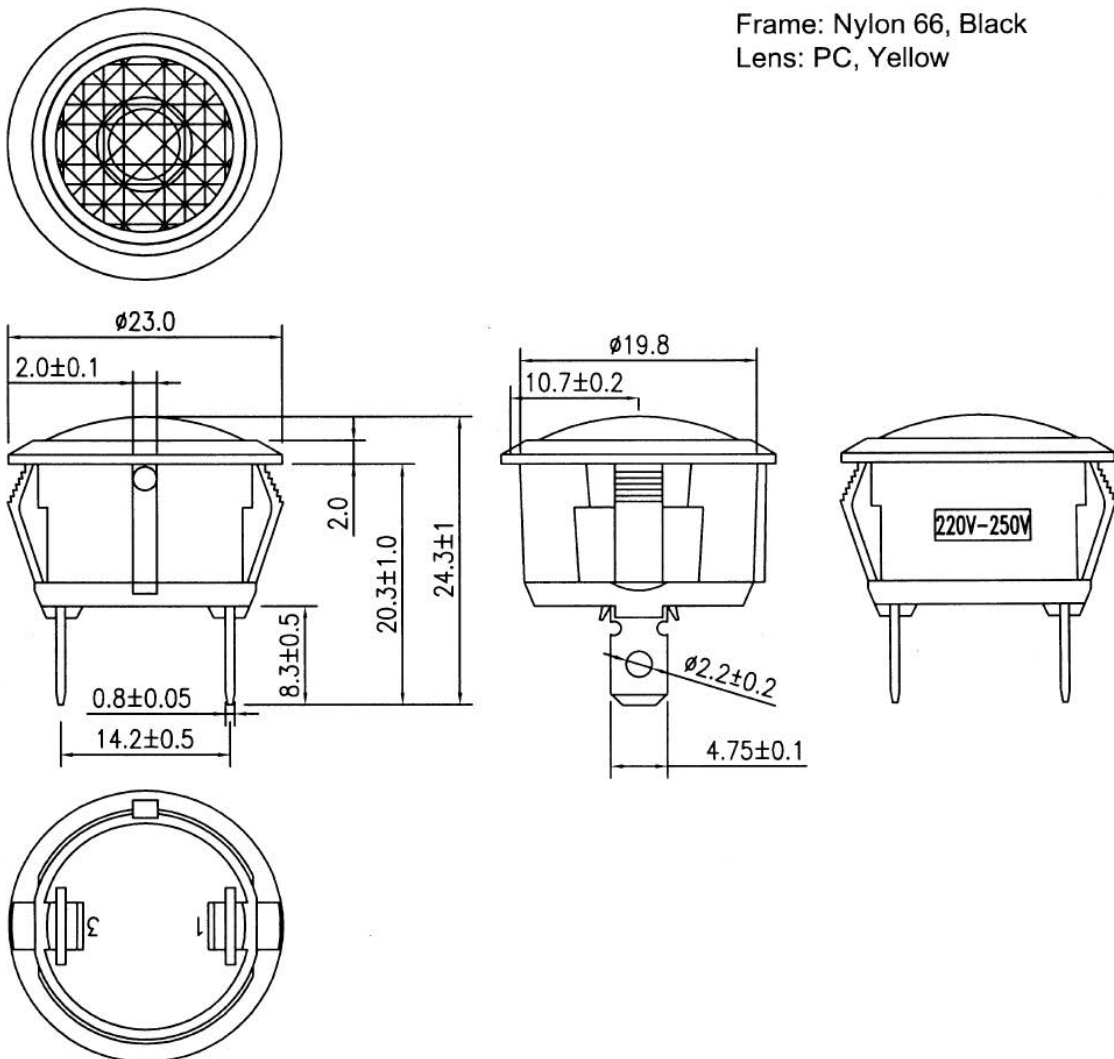


Neon indicator light (Yellow), dia 20.2mm, 230V AC

Rating	230V AC		
Insulation Resistance	DC 500V 100M ohm Min.		
Dielectric Strength	AC 1500V 1 minute		
Operation Temperature	-20° C~80° C		

Material:

Frame: Nylon 66, Black
Lens: PC, Yellow



Tolerance Unless Otherwise Specified ± 0.3

Unit: mm

This is a publication by Conrad Electronic SE, Klaus-Conrad-Str. 1, D-92240 Hirschau (www.conrad.com).

All rights including translation reserved. Reproduction by any method, e.g. photocopy, microfilming, or the capture in electronic data processing systems require the prior written approval by the editor. Reprinting, also in part, is prohibited. This publication represents the technical status at the time of printing.

© Copyright 2017 by Conrad Electronic SE.