
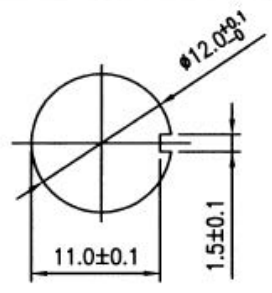
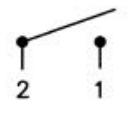
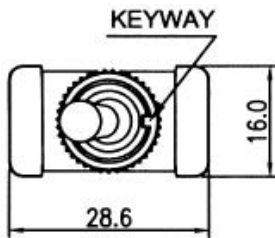
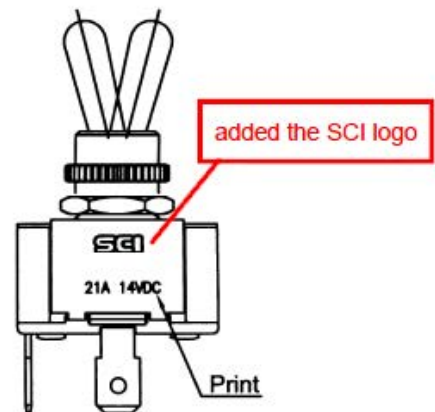
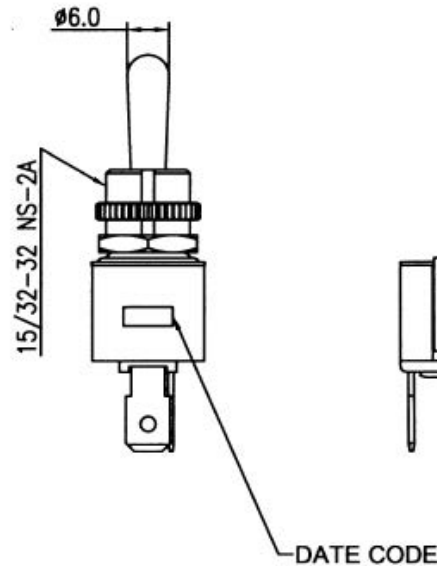
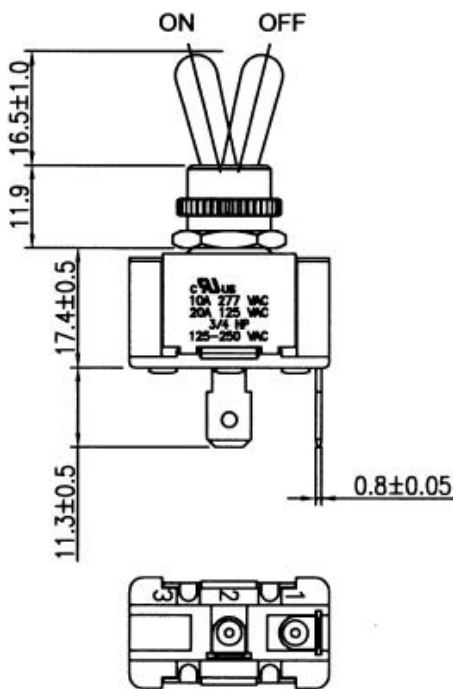


## Toggle switch, 21A 14V DC, ON-OFF

Rating	20A 125V AC, 10A 277V AC 3/4HP 125-250V AC 	Mounting Hole	Circuit Diagram
Contact Resistance	21A 14V DC		
Insulation Resistance	50m ohm Max.		
Dielectric Strength	DC 500V 100M ohm Min.		
Operation Temperature	AC 1500V 1 minute		
Switch Function	0°C~65°C		
	2P SPST ON-OFF		



1 HEX NUT ASSY  
1 KNURL NUT ASSY



Tolerance Unless Otherwise Specified ±0.3

Unit: mm

This is a publication by Conrad Electronic SE, Klaus-Conrad-Str. 1, D-92240 Hirschau (www.conrad.com).

All rights including translation reserved. Reproduction by any method, e.g. photocopy, microfilming, or the capture in electronic data processing systems require the prior written approval by the editor. Reprinting, also in part, is prohibited. This publication represents the technical status at the time of printing.

© Copyright 2017 by Conrad Electronic SE.