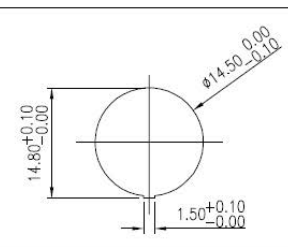

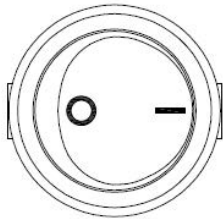
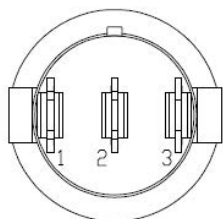
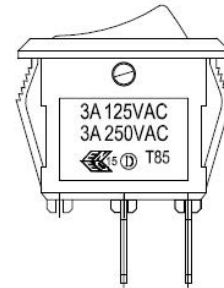
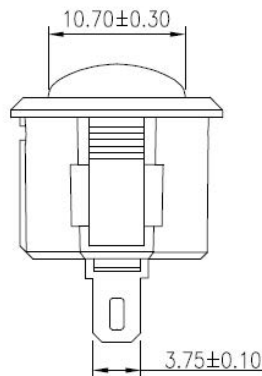
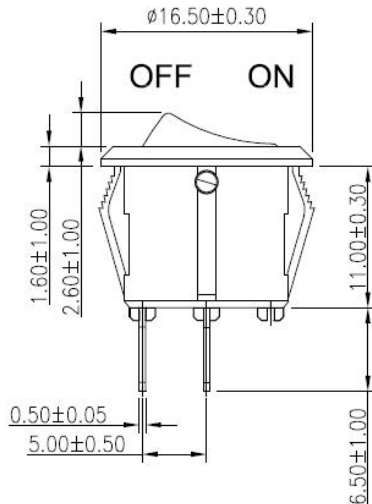


Mini rocker switch (without indicator)

Rating	3A 125VAC 3A 250VAC		
Contact Resistance	50m ohm Max.		
Insulation Resistance	DC 500V 100M ohm Min.		
Dielectric Strength	AC 1500V 1 minute.		
Operation Temperature	-25°C~85°C		
Switch Function	2P SPST ON-OFF	Thickness:0.75~3.0	



***MATERIAL:**
 Frame: Black, Nylon 66 (94-V2)
 Actuator: Black, Nylon 66 (94-V2)
 Contacts: Silver plated Copper alloy.
 Terminals: Silver plated Copper alloy.



Unit: mm

This is a publication by Conrad Electronic SE, Klaus-Conrad-Str. 1, D-92240 Hirschau (www.conrad.com).

All rights including translation reserved. Reproduction by any method, e.g. photocopy, microfilming, or the capture in electronic data processing systems require the prior written approval by the editor. Reprinting, also in part, is prohibited. This publication represents the technical status at the time of printing.

© Copyright 2017 by Conrad Electronic SE.