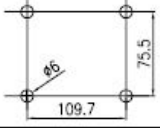

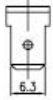
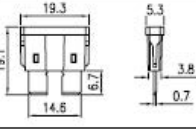
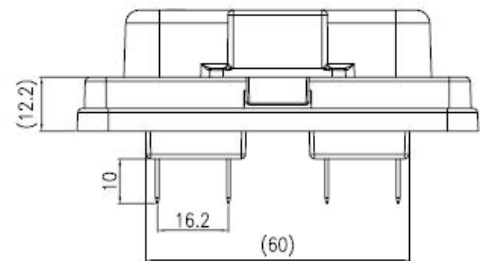
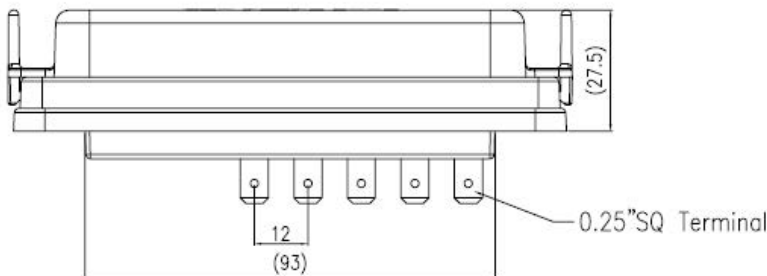
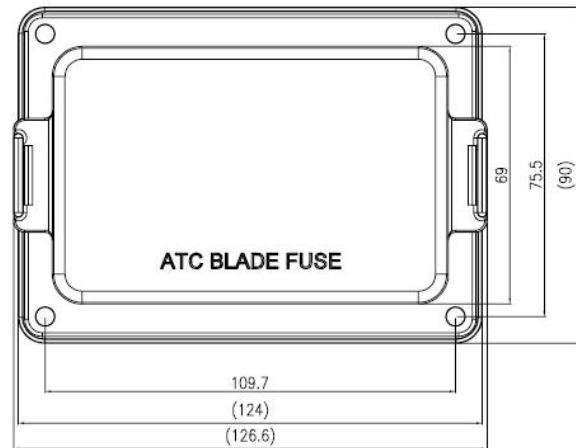
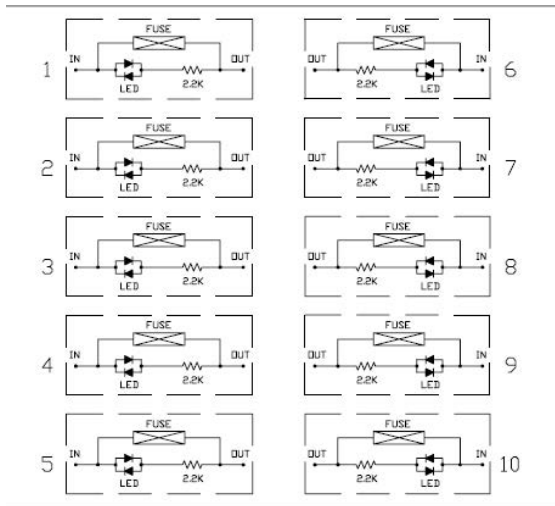
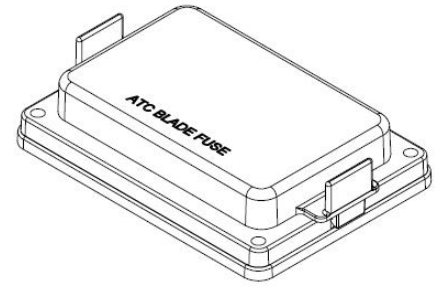


Waterproof Fuse Box, including LED light

Voltage (Max.)	32 VDC.	Mounting Holes	ATC Blade Fuse Isometric View
Input Terminal Rating	0.25 Terminal		
Output Terminal Rating	25A max. load per circuit.		
Connection Pad Option Available	Input wire size : #10-16 AWG. Output wire size : #10-16 AWG.	Terminal Dim.	Blade Fuse Dim.
Fuse Specifications	For ATC Blade Fuses Used Only		
Mounting Torque Rating	8 In-lb (0.9Nm) max.		
Environmental Rating	IP X5		
Temperature Rating	-25 °C to +85 °C		



Material :
 Cover : PC. (Black)
 Housing &. Base : PBT. (Black)
 Terminal : Copper

NOTE:
 Tolerance ±0.5 except noticed

Unit: mm

This is a publication by Conrad Electronic SE, Klaus-Conrad-Str. 1, D-92240 Hirschau (www.conrad.com).
 All rights including translation reserved. Reproduction by any method, e.g. photocopy, microfilming, or the capture in electronic data processing systems require the prior written approval by the editor. Reprinting, also in part, is prohibited. This publication represents the technical status at the time of printing.

© Copyright 2017 by Conrad Electronic SE.