
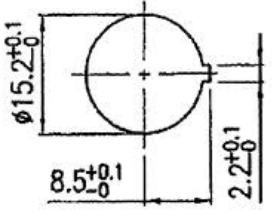
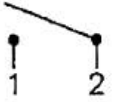
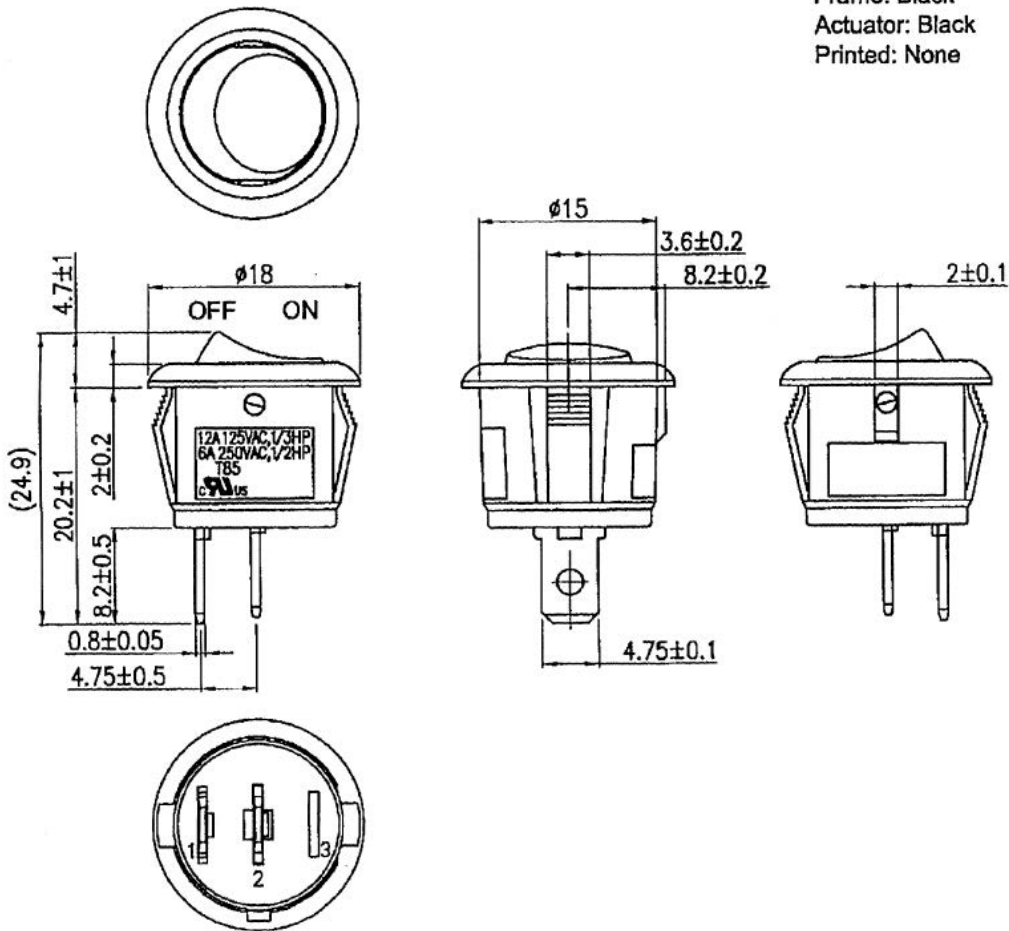


ROCKER SWITCH 12A 125V 6A 250V ON-OFF CUL

Rating	12A 125V 1/3HP 6A 250VAC 1/2HP		Mounting Hole	Circuit Diagram
Contact Resistance	50m ohm Max.			
Insulation Resistance	DC 500V 100M ohm Min.			
Dielectric Strength	AC 1500V 1 minute			
Operation Temperature	-25°C~85°C			
Switch Function	2P SPST ON-OFF			

*MATERIAL:
 Frame: Black
 Actuator: Black
 Printed: None



1 - Tolerances Unless Otherwise Specified ± 0.3

Unit: mm

This is a publication by Conrad Electronic SE, Klaus-Conrad-Str. 1, D-92240 Hirschau (www.conrad.com).

All rights including translation reserved. Reproduction by any method, e.g. photocopy, microfilming, or the capture in electronic data processing systems require the prior written approval by the editor. Reprinting, also in part, is prohibited. This publication represents the technical status at the time of printing.

© Copyright 2017 by Conrad Electronic SE.