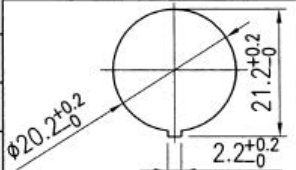
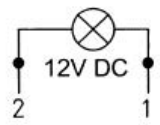
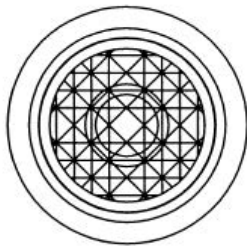
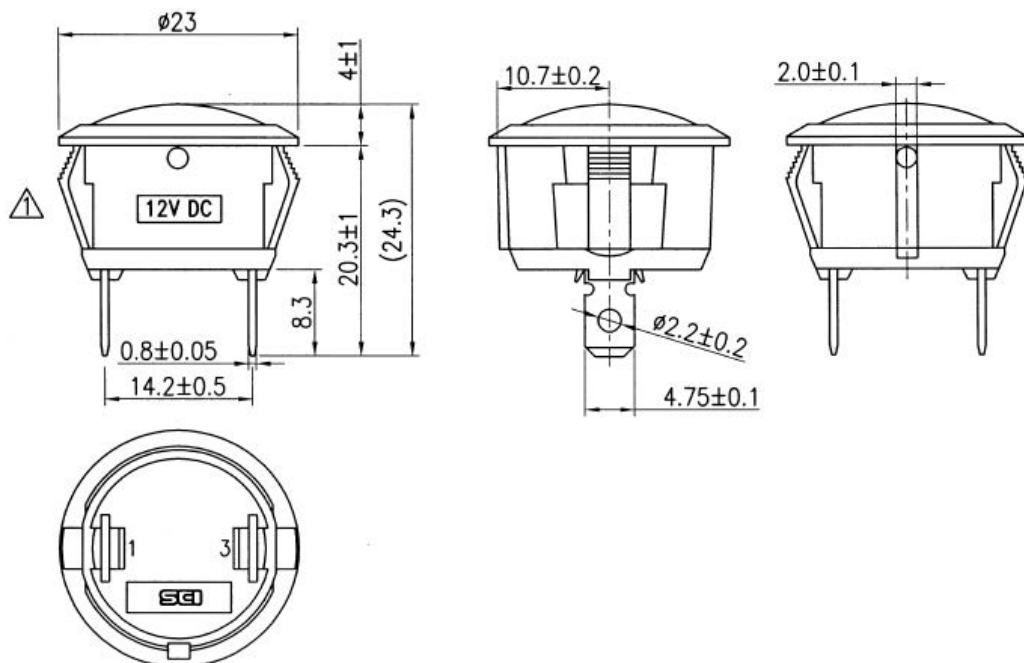


# Indicator 12V DC, Green

Rating	12V DC		
Insulation Resistance	DC 500V 100M ohm Min.		
Dielectric Strength	AC 1500V 1 minute		
Operation Temperature	-20°C~80°C		



Material:  
 Frame: Nylon 66, Black  
 Lens: PC, Green



Tolerance Unless Otherwise Specified  $\pm 0.3$

Unit: mm

This is a publication by Conrad Electronic SE, Klaus-Conrad-Str. 1, D-92240 Hirschau (www.conrad.com).  
 All rights including translation reserved. Reproduction by any method, e.g. photocopy, microfilming, or the capture in electronic data processing systems require the prior written approval by the editor. Reprinting, also in part, is prohibited. This publication represents the technical status at the time of printing.