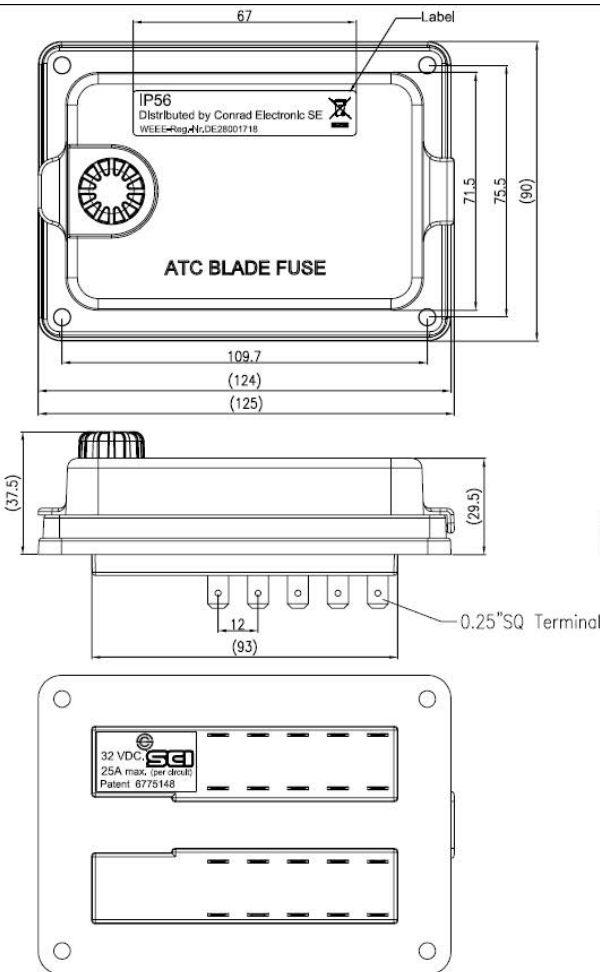
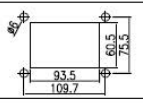

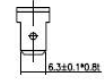
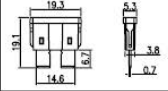
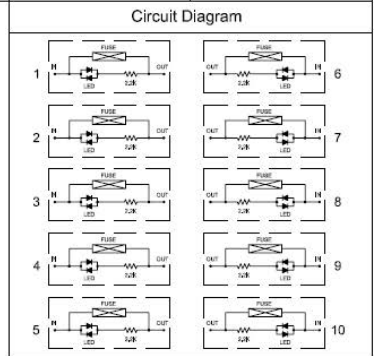


Fuse Holder with LED



Voltage (Max.)	32 VDC.	Mounting Holes	ATC Blade Fuse Isometric View
Output Terminal Rating	25A max. load per circuit.		
Terminal Wire Size	#10-16 AWG.		
Fuse Specifications	For ATC Blade Fuses Used Only		
Mounting Torque Rating	8 in-lb (0,9Nm) max.	Terminal Dim.	Blade Fuse Dim.
Environmental Rating	IP 56		
Temperature Rating	-25 ϕ J to +85 ϕ J		



Material :
 Cover : PC. (Clear)
 Housing &. Base : PBT. (Black)
 Terminal : Copper

NOTE:
 Tolerance ± 0.5 except noticed

Unit: mm