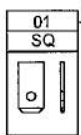


# Rocker switch

**ROCKER SWITCH**

**TERMINAL TYPE**



**FRAME COLOR (按鈕座顏色)**

**ROCKER COLOR (按鈕顏色)**

**LENS COLOR, A.1**  
(燈罩顏色)(端子1側)

**LENS COLOR, A.5**  
(燈罩顏色)(端子5側)

**LED ACTUATOR TYPE**

1	2	3	4	5	6	7

**LEGEND (Rating)**

N	1	2	3	4
None				

**CIRCUIT TABLE** ( )=MOMENTARY

Type	Functions(Single Pole)	Circuit	Type	Functions(Double Pole)	Circuit
A	2P SPST ON-OFF		F	4P DPST ON-OFF	
C	3P SPDT ON-ON		B	6P DPDT ON-ON	
D	3P SPDT ON-OFF-ON		E	6P DPDT ON-OFF-ON	
G	3P SPDT (ON)-OFF-(ON)		K	6P DPDT (ON)-OFF-(ON)	
H	3P SPDT ON-OFF-(ON)		M	6P DPDT ON-OFF-(ON)	
I	3P SPDT ON-(ON)		P	6P DPDT ON-(ON)	
N	2P SPST (ON)-OFF		S	4P DPST (ON)-OFF	
R	2P SPST ON-(OFF)		Q	4P DPST ON-(OFF)	

**COLORS**

A=AMBER  
B=BLACK  
G=GREEN  
U=BLUE  
R=RED  
W=WHITE  
N=NONE

**Rating**

8(4)A 250Va.c.  
16 A 14Vd.c.

**Contact Resistance** 50m ohm Max.

**Insulation Resistance** DC 500V 100M ohm Min.

**Dielectric Strength** AC 1500V 1 minute

**Operation Temperature** -0°~85°

**Switch Function** SEE TABLE

**Mounting Hole**

Thickness(mm)	X(mm)	Y(mm)
0.75-1.25	21.22*	36.6*0.1
1.25-2.0	21.22*	36.6*0.1
2.0-3.0	21.22*	37.0*0.1

**Circuit Diagram** SEE CIRCUIT TABLE

**VOLTAGE**

1	12V DC
2	24V DC
4	110V AC
5	220V AC

**SEALING**

Without EPOXY  
With EPOXY

**LENS MARKING (PRINT), TABLE 1**  
依符號編碼表(參閱TABLE 1)

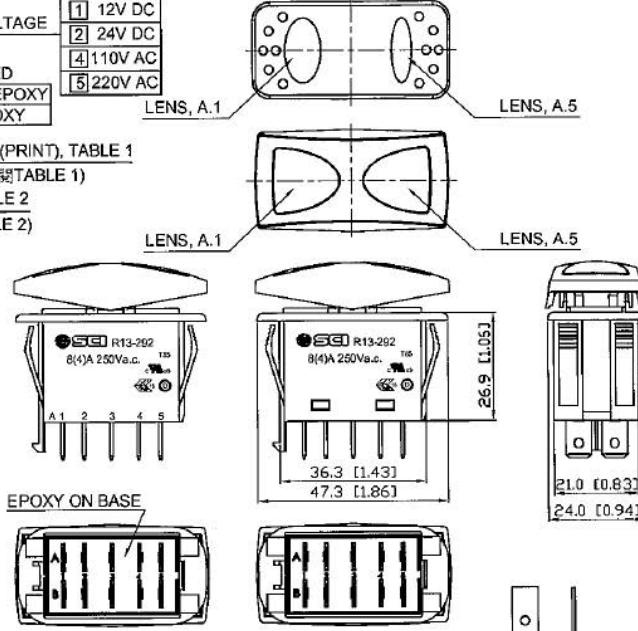
**LIGHT CIRCUIT, TABLE 2**  
依電路編碼表(參閱TABLE 2)

**LED COLOR, A.5**  
(LED顏色)(端子5側)

**LED COLOR, A.1**  
(LED顏色)(端子1側)

**LED**

N=NONE  
1=1PCS  
2=2PCS



**EPOXY ON BASE**

**\*MATERIAL:**

- 1.Frame: Nylon-66 (94V-2).
- 2.Actuator: Nylon-66 with 33% glass fiber.
- 3.Lens: PC.
- 4.Terminal: Silver plated copper. (excepted lamp terminal)

**\*Sealed:** Standard switch provides to IP56  
IP67 when base fill epoxy.

Unit: mm