
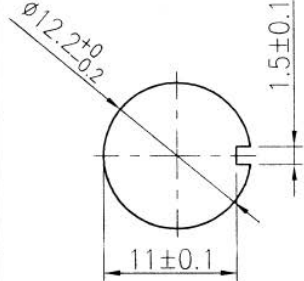
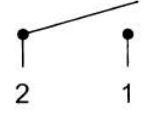
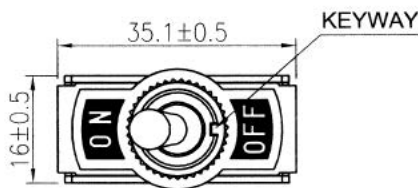


Toggle switch

Rating	16(4)A 250V AC 		
Contact Resistance	50m ohm Max		
Insulation Resistance	DC 500V 100M ohm Min		
Dielectric Strength	AC 1500V 1 minute		
Operation Temperature	0°C~85°C		
Switch Function	2P SPST ON-OFF		



Material:

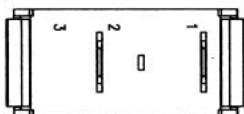
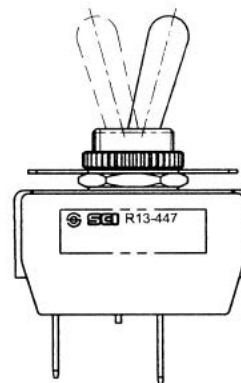
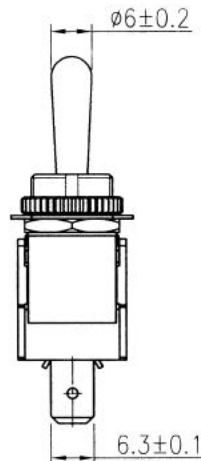
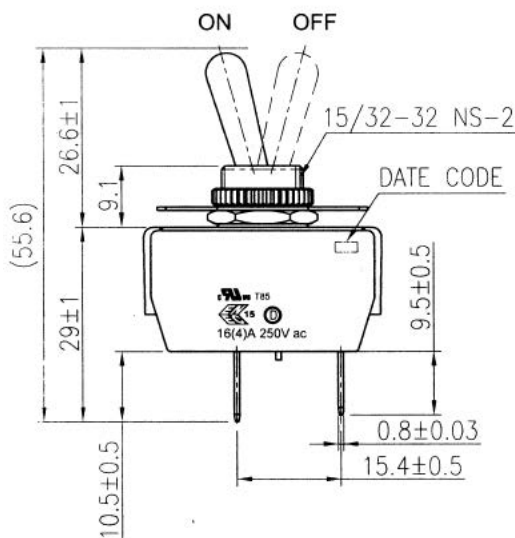
Frame: Nylon 66,Black

Actuator: Nylon 66+30%GF,Black

Terminal: Copper Alloy

Contact: Copper Alloy

Water proof and dust proof to fit IP-56



Unit: mm

Tolerances Unless Otherwise Specified ±0.3

This is a publication by Conrad Electronic SE, Klaus-Conrad-Str. 1, D-92240 Hirschau (www.conrad.com).

All rights including translation reserved. Reproduction by any method, e.g. photocopy, microfilming, or the capture in electronic data processing systems require the prior written approval by the editor. Reprinting, also in part, is prohibited. This publication represents the technical status at the time of printing.

© Copyright 2017 by Conrad Electronic SE.