
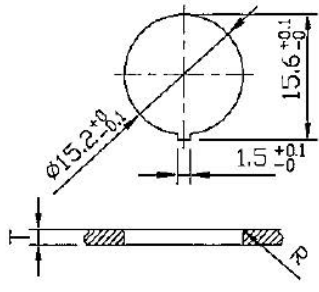
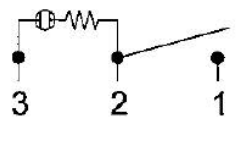
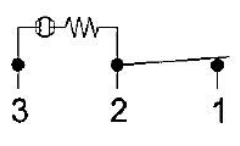
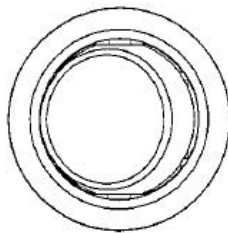
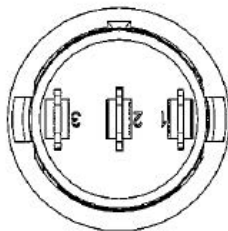
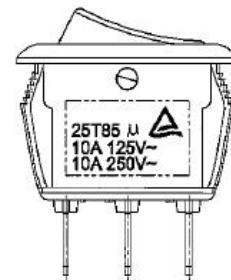
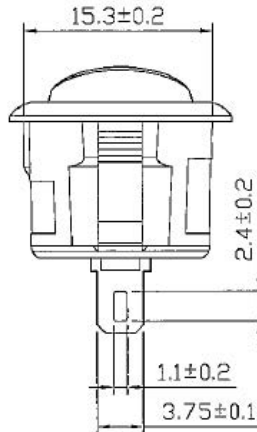
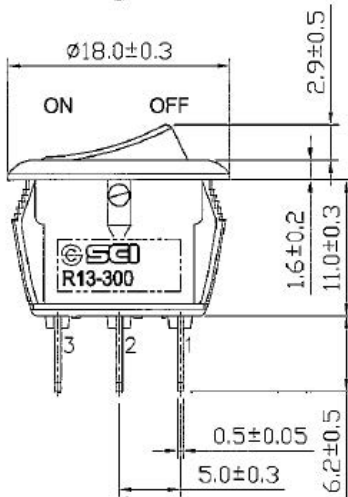


ROCKER SWITCH 10A 250V ON-OFF RED

Rating	10A 250V~		Mounting Hole		Circuit Diagram
Contact Resistance	50m ohm Max.		OFF		
Insulation Resistance	DC 500V 100M ohm Min.				
Dielectric Strength	AC 1500V 1 minute				
Operation Temperature	-25°C~85°C				
Switch Function	3P SPST ON-OFF (Neon dependent)				
			Thickness:0.7~3.0		



***MATERIAL:**
 Frame: Black, Nylon 66 (94-V2)
 Actuator: Red clear, PC (94-V2)
 Terminals 1/2: Silver plated, Copper alloy
 Terminal 3: Brass alloy
 Hot Stamping: None



Unit: mm

This is a publication by Conrad Electronic SE, Klaus-Conrad-Str. 1, D-92240 Hirschau (www.conrad.com).
 All rights including translation reserved. Reproduction by any method, e.g. photocopy, microfilming, or the capture in electronic data processing systems require the prior written approval by the editor. Reprinting, also in part, is prohibited. This publication represents the technical status at the time of printing.