


# PUSH SWITCH 6A 250V OFF-ON RED

Rating	6A 250V~		Mounting Hole	<p>PUSH ON: LED "ON" PUSH OFF: LED "OFF"</p>
Contact Resistance	50m ohm Max.			
Insulation Resistance	DC 500V 100M ohm Min.			
Dielectric Strength	AC 1500V 1 minute			
Operation Temperature	-25°C~85°C			
Switch Function	3P SPST OFF-ON (LED dependent)			

**\*MATERIAL:**

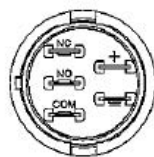
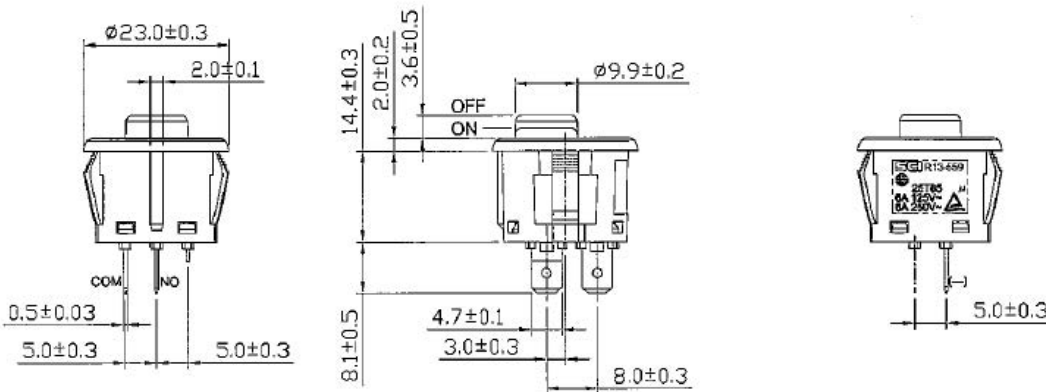
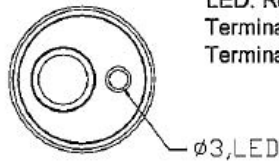
Frame: Black, Nylon 66 (94-V2)

Actuator: Black, Nylon 66 (94-V2)

LED: Red

Terminal COM,NO: Silver plated, Brass alloy

Terminal -: Brass alloy



Unit: mm

This is a publication by Conrad Electronic SE, Klaus-Conrad-Str. 1, D-92240 Hirschau (www.conrad.com).

All rights including translation reserved. Reproduction by any method, e.g. photocopy, microfilming, or the capture in electronic data processing systems require the prior written approval by the editor. Reprinting, also in part, is prohibited. This publication represents the technical status at the time of printing.

© Copyright 2017 by Conrad Electronic SE.