
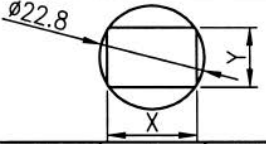
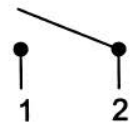
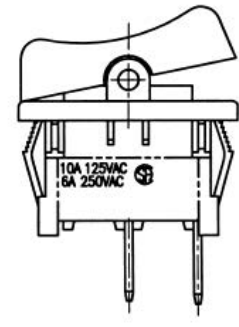
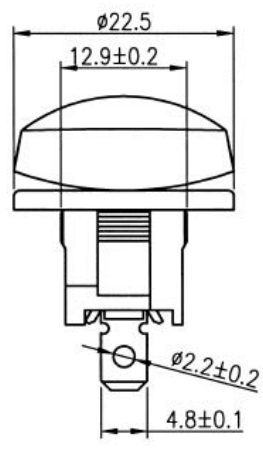
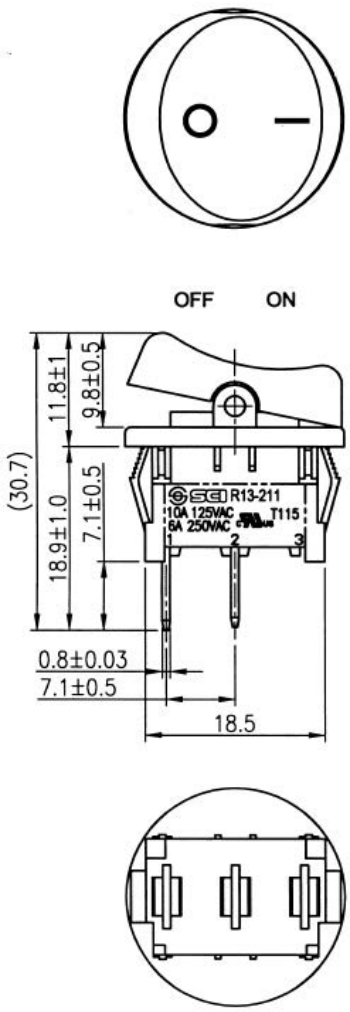


Rocker Switch

Rating	10A 125V AC, 6A 250V AC 	Mounting Hole	Circuit Diagram	
Contact Resistance	50m ohm Max.			
Insulation Resistance	DC 500V 100M ohm Min.			
Dielectric Strength	AC 1500V 1 minute			
Operation Temperature	-25°C~115°C			
Switch Function	2P SPST ON-OFF	Thickness	X	Y
		0.75~1.25	19.2-0.1	13+0.1
		1.25~2.0	19.4-0.1	13+0.1
		2.0~3.0	19.8-0.1	13+0.1



Material:
 Frame: Nylon#66, Black
 Actuator: Nylon#66, Black
 Printed: White, hot stamping

Tolerances Unless Otherwise Specified ±0.3mm Unit: mm

This is a publication by Conrad Electronic SE, Klaus-Conrad-Str. 1, D-92240 Hirschau (www.conrad.com).
 All rights including translation reserved. Reproduction by any method, e.g. photocopy, microfilming, or the capture in electronic data processing systems require the prior written approval by the editor. Reprinting, also in part, is prohibited. This publication represents the technical status at the time of printing.
 © Copyright 2017 by Conrad Electronic SE.