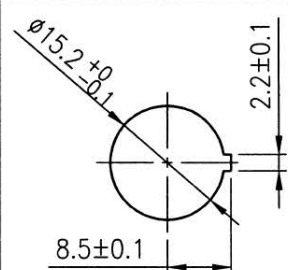

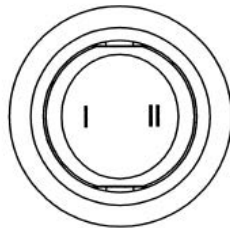
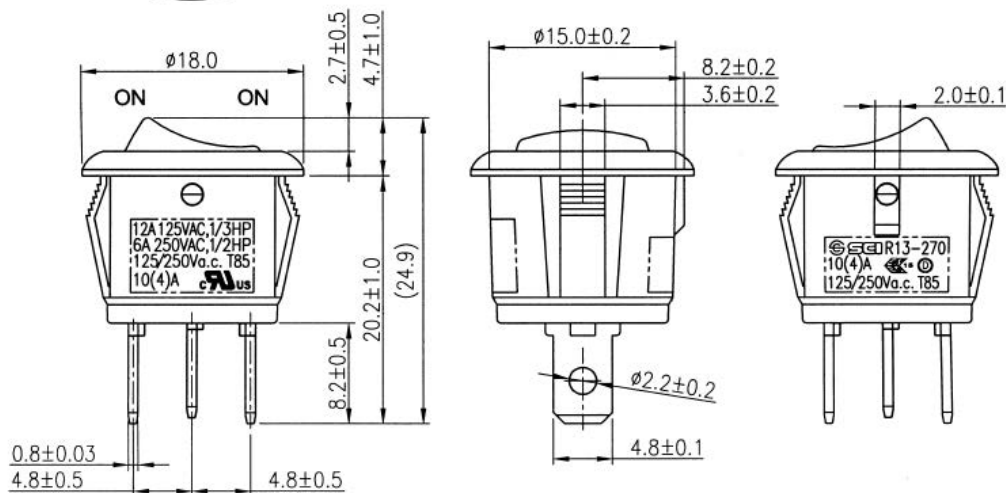


# Rocker Switch

Rating	12A 125VAC 1/3HP 6A 250VAC 1/2HP 10(4)A 125-250V AC		
Contact Resistance	50m ohm Max.		
Insulation Resistance	DC 500V 100M ohm Min.		
Dielectric Strength	AC 1500V 1 minute		
Operation Temperature	-25°C~85°C		
Switch Function	3P SPDT ON-ON		



**MATERIAL:**  
 Frame: Black, Nylon 66  
 Actuator: Black, Nylon 66  
 Terminals: Copper alloy



Tolerances Unless Otherwise Specified ±0.3mm Unit: mm

This is a publication by Conrad Electronic SE, Klaus-Conrad-Str. 1, D-92240 Hirschau (www.conrad.com).

All rights including translation reserved. Reproduction by any method, e.g. photocopy, microfilming, or the capture in electronic data processing systems require the prior written approval by the editor. Reprinting, also in part, is prohibited. This publication represents the technical status at the time of printing.

© Copyright 2017 by Conrad Electronic SE.