
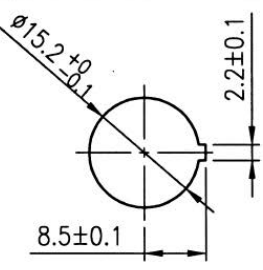

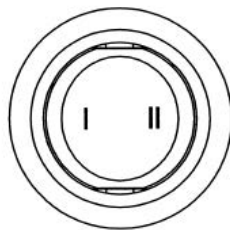
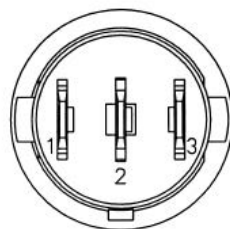
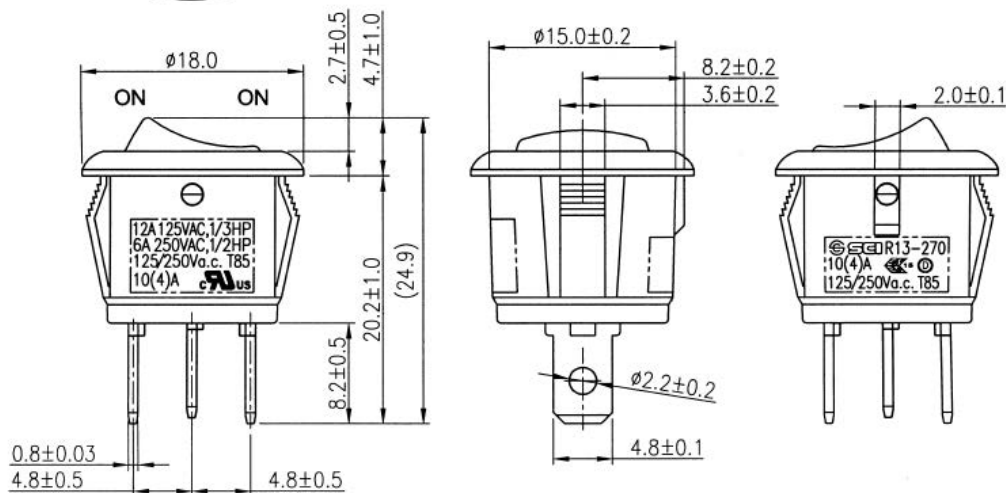


Rocker Switch

Rating	6(2)A 125-250V AC			
Contact Resistance	50m ohm Max.			
Insulation Resistance	DC 500V 100M ohm Min.			
Dielectric Strength	AC 1500V 1 minute			
Operation Temperature	-25°C~85°C			
Switch Function	3P SPDT ON-OFF-ON			



MATERIAL:
 Frame: Black, Nylon 66
 Actuator: Black, Nylon 66
 Terminals: Copper alloy



Tolerances Unless Otherwise Specified ± 0.3 mm Unit: mm

This is a publication by Conrad Electronic SE, Klaus-Conrad-Str. 1, D-92240 Hirschau (www.conrad.com).

All rights including translation reserved. Reproduction by any method, e.g. photocopy, microfilming, or the capture in electronic data processing systems require the prior written approval by the editor. Reprinting, also in part, is prohibited. This publication represents the technical status at the time of printing.

© Copyright 2017 by Conrad Electronic SE.