
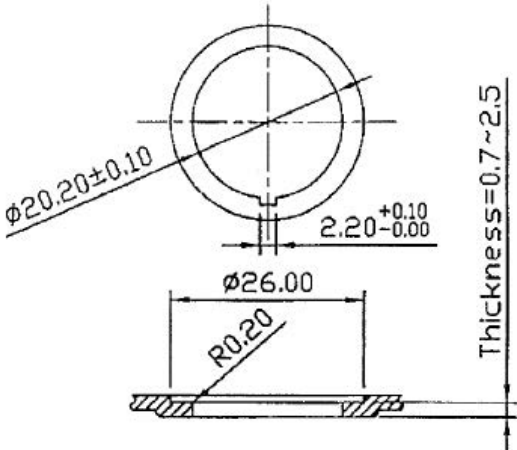
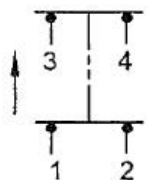
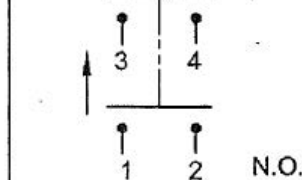
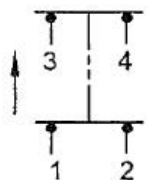
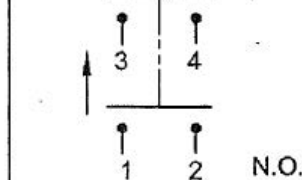
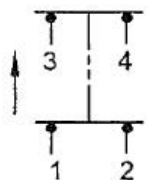
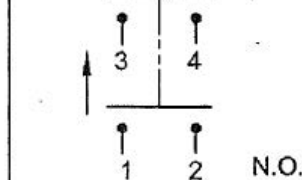
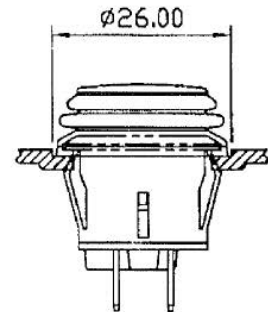
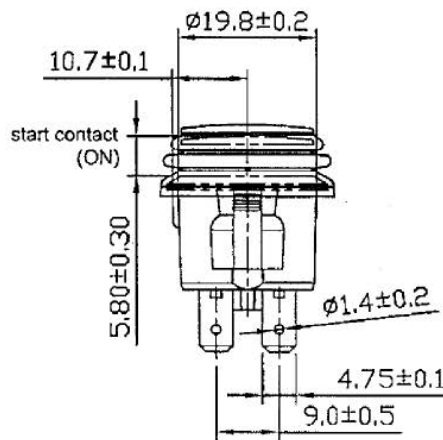
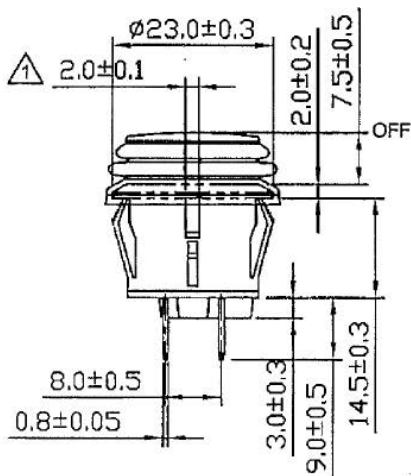
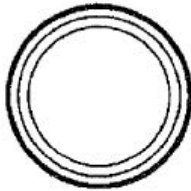


Push Switch

| | | | | | | | |
|---|---|---|---|------|-----|--|---|
| Rating | 10A 125V, 6A 250V AC 1/2HP 125/250VAC 20A 14VDC, 10A 28VDC |  | Mounting Hole  | | | | |
| Contact Resistance | 50m ohm Max. | | | | | | |
| Insulation Resistance | DC 500V 100M ohm Min. | | Circuit Diagram <table border="1"> <tr> <td>(ON)</td> <td>OFF</td> </tr> <tr> <td></td> <td></td> </tr> </table> | (ON) | OFF |  |  |
| (ON) | OFF | | | | | | |
|  |  | | | | | | |
| Dielectric Strength | AC 1500V 1 minute | | Full travel: 4.5mm | | | | |
| Operation Tempure | -25°C ~ 85°C | | | | | | |
| Switch Function | 4P DPST (ON)-OFF | | | | | | |
| *MATERIAL: Frame: Black, Nylon 66 (94-V2) Actuator: Black, PC (94-V2) Terminals: Silver plated, Copper alloy Waterproof Rubber: Black, Silicone Printed: None | | | | | | | |



Unit: mm

This is a publication by Conrad Electronic SE, Klaus-Conrad-Str. 1, D-92240 Hirschau (www.conrad.com). All rights including translation reserved. Reproduction by any method, e.g. photocopy, microfilming, or the capture in electronic data processing systems require the prior written approval by the editor. Reprinting, also in part, is prohibited. This publication represents the technical status at the time of printing.