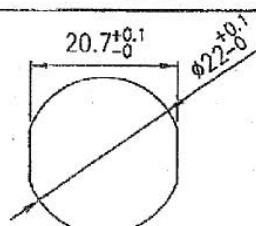
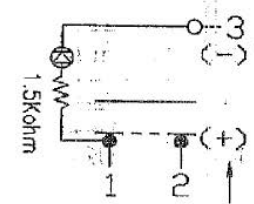
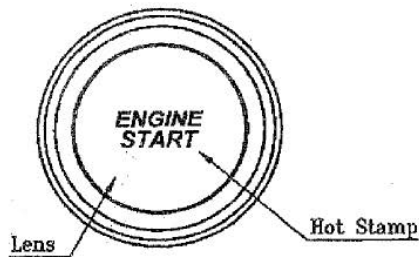


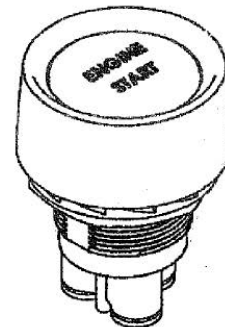
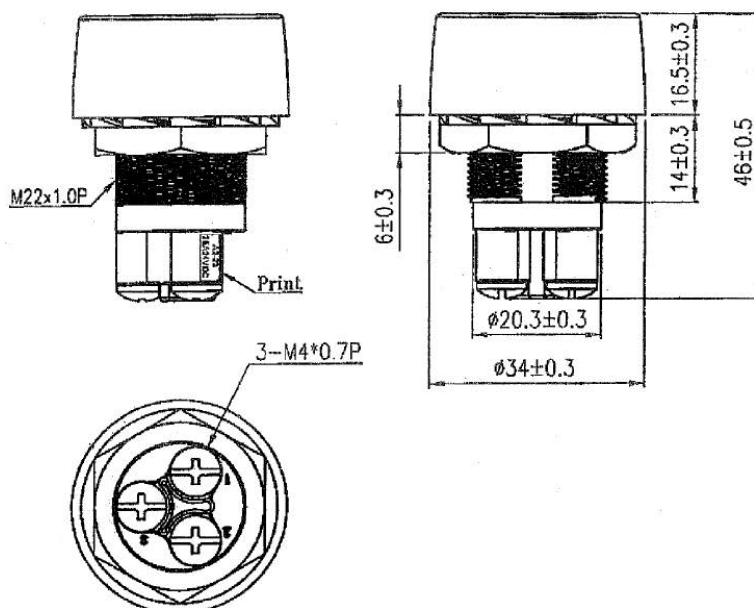
Starter button switch

Rating	25A 24VDC	Mounting Hole		Circuit Diagram	
Contact Resistance	50m ohm Max.				
Insulation Resistance	DC 500V 100M ohm Min.				
Dielectric Strength	AC 1500V 1 minute				
Operation Temperature	-25°C~85°C				
Circuit	3P SPST (ON)-OFF (LED)	Thickness:9.0mm max.		Thickness:9.0mm max.	
LED Color	LED Lens Color	VF	IF	View Angle	Mcd
Red	White diffuse	2.2V	20mA	100°	120



MATERIAL:

Frame: Nylon 66 (94V-2), Black
 Cover: ABS (94HB)
 Terminals: Copper Alloy
 Contacts: Copper Alloy+AgSnO₂InO₃
 LED: ø5.0 White diffused
 Actuator: PC (94V-2) ,Red



Unit: mm