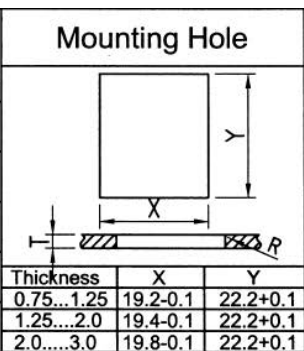
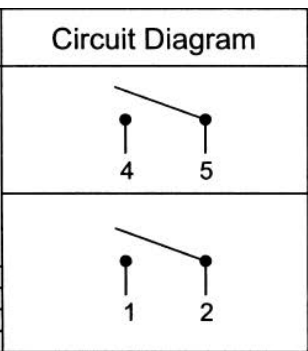
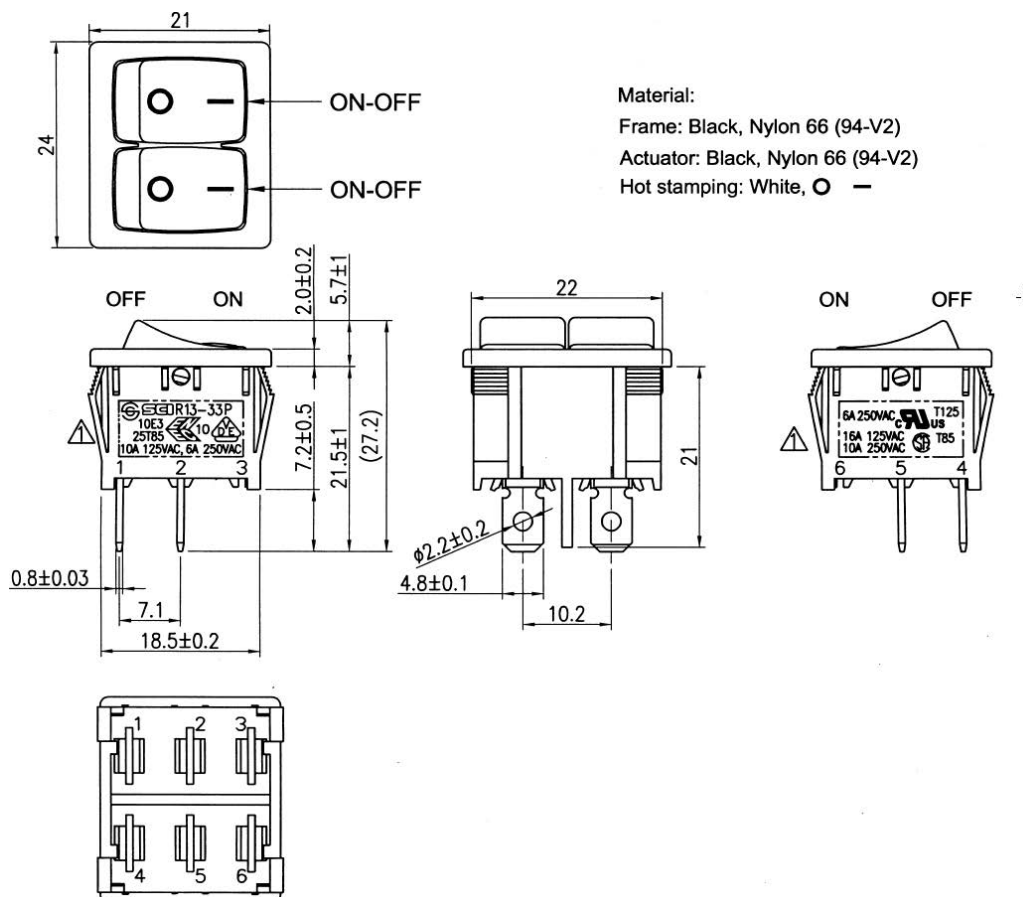


## Rocker Switch

Rating	6A 250VAC 16A 125VAC/10A 250VAC 10A 125VAC/6A 250VAC	 <table border="1"> <thead> <tr> <th>Thickness</th> <th>X</th> <th>Y</th> </tr> </thead> <tbody> <tr> <td>0.75...1.25</td> <td>19.2-0.1</td> <td>22.2+0.1</td> </tr> <tr> <td>1.25...2.0</td> <td>19.4-0.1</td> <td>22.2+0.1</td> </tr> <tr> <td>2.0...3.0</td> <td>19.8-0.1</td> <td>22.2+0.1</td> </tr> </tbody> </table>	Thickness	X	Y	0.75...1.25	19.2-0.1	22.2+0.1	1.25...2.0	19.4-0.1	22.2+0.1	2.0...3.0	19.8-0.1	22.2+0.1	Circuit Diagram
Thickness	X		Y												
0.75...1.25	19.2-0.1	22.2+0.1													
1.25...2.0	19.4-0.1	22.2+0.1													
2.0...3.0	19.8-0.1	22.2+0.1													
Contact Resistance	50m ohm Max														
Insulation Resistance	DC 500V 100M ohm Min.														
Dielectric Strength	AC 1500V 1 minute.														
Operation Temperature	-20°C~85°C														
Switch Function	2P SPST ON-OFF 2P SPST ON-OFF														



Tolerances Unless Otherwise Specified ±0.3

This is a publication by Conrad Electronic SE, Klaus-Conrad-Str. 1, D-92240 Hirschau (www.conrad.com).

All rights including translation reserved. Reproduction by any method, e.g. photocopy, microfilming, or the capture in electronic data processing systems require the prior written approval by the editor. Reprinting, also in part, is prohibited. This publication represents the technical status at the time of printing.

© Copyright 2017 by Conrad Electronic SE.